



**INDUCTIVE SENSORS:
ALL-METAL & HIGH-PRESSURE
RESISTANT, SERIES 700P**



- ✓ **500 bar** high-pressure resistant
- ✓ **Corrosion resistant**
- ✓ **IP 68 & IP 69K**
- ✓ **Sea-water resistant**, usable down to **depths of 1000 m**
- ✓ Mechanically and chemically **rugged**
- ✓ **All-metal housing** (incl. sensing face)
- ✓ Excellent detection of **metals with good conductivity**

TECHNICAL DATA

(according to IEC 60947-5-2)	
Housing material	V4A / AISI 316L / DIN 1.4404
Degree of protection	IP 68 & IP 69K
Supply voltage range U_B	10 ... 30 VDC
Ambient temperature	-25 ... +70 °C
Output current	200 mA
Max. ripple content	≤ 20 % U_B
No-load supply current	≤ 10 mA
Leakage current at output	≤ 0,1 mA
Voltage drop, switched state	≤ 2,0 V
Temperature drift % s_r	≤ 10 %
Hysteresis % s_r	≤ 15 %
Repeat accuracy % s_r	≤ 5 %
Short-circuit protection	Built-in
Polarity reversal protection	Built-in
Power-on reset	Built-in

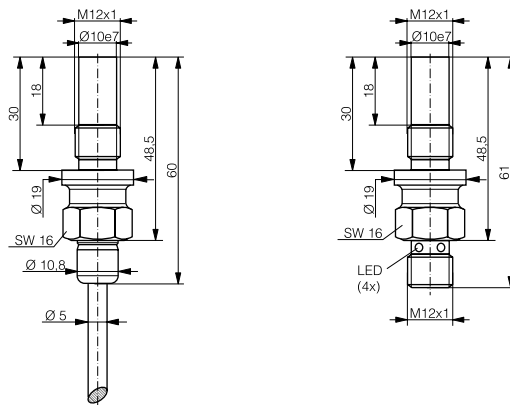
Rugged, corrosion and up to 500 bar high-pressure-resistant all-metal sensors in V4A. Impervious (IP 68) and sea-water resistant. Usable down to depths of 1000 m. Excellent detection of ferromagnetic and non-ferromagnetic metals with good conductivity. Particularly suited for

- ✓ **underwater applications**
- ✓ **hydraulic pumps**
- ✓ **hydraulic cylinders**
- ✓ **hydraulic valves**
- ✓ **lubrication systems**
- ✓ **construction machinery**
- ✓ **offshore installations**
- ✓ **harbor cranes**
- ✓ **concrete pumps & mixers**
- ✓ **plastic injection machines**

HOUSING SIZE	M12		
OPERATING DISTANCE MM	1.5	1.5	



ALL-METAL & HIGH-PRESSURE RESISTANT UP TO 500 BAR / IP 68 + IP 69K



- 1) Standard cable length 2 m. Non-standard cable lengths and types on request. Cable type see page 271.
- 2) see page 133
- 3) see page 269

TECHNICAL DATA

Connection ¹⁾	PUR cable type 11	Connector S12	
Degree of protection	IP 68 + IP 69K	IP 68 + IP 69K	
Max. operating pressure	500 bar / 100 bar (cable exit)	500 bar (sensing face)	
Mounting	Embeddable	Embeddable	
Max. switching frequency	1,000 Hz	1,000 Hz	
Wiring ²⁾	Diagram 1	Diagram 2	
LED	---	---	
Approvals	CE, RoHS	CE, RoHS	

PART REFERENCES: (BOLD: PREFERRED TYPES)

NPN N.O.			
NPN N.C.			
PNP N.O.	DW-LD-703-P12G-003*	DW-LS-703-P12G*	
PNP N.C.	DW-LD-704-P12G-003*	DW-LS-704-P12G*	
Compatible connectors ³⁾		U	

* available 4Q/2010