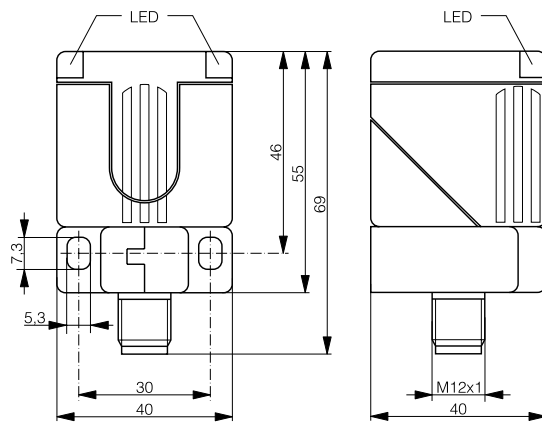


HOUSING SIZE	40 X 40		
OPERATING DISTANCE MM	15	20	35



Sensing face can be rotated to 5 different sides.

- 1) Standard cable length 2 m.  
Non-standard cable lengths and types on request.
- 2) see page 132
- 3) see page 133
- 4) see page 268

### TECHNICAL DATA

Housing material	PBTP	PBTP	PBTP
Connection <sup>1)</sup>	Connector S12	Connector S12	Connector S12
Degree of protection	IP 67	IP 67	IP 67
Mounting	Embeddable	Embeddable	Non-embeddable
Max. switching frequency	50 Hz	30 Hz	30 Hz
Additional technical data <sup>2)</sup>	Table 8	Table 8	Table 8
Wiring <sup>3)</sup>	Diagram 6	Diagram 6	Diagram 6
LED	Built-in	Built-in	Built-in
Supply voltage range	15 ... 34 VDC	15 ... 34 VDC	15 ... 34 VDC
Ambient temperature range	-25 ... +85 °C	-25 ... +85 °C	-25 ... +85 °C
Output current	≤ 200 mA / ≤ 150 mA*	≤ 200 mA / ≤ 150 mA*	≤ 200 mA / ≤ 150 mA*
Approvals	CE, RoHS	CE, RoHS	CE, RoHS

### PART REFERENCES: (BOLD: PREFERRED TYPES)

NPN N.O. + N.C.	<b>DW-AS-601-C44</b>	<b>DW-AS-601-C44-304</b>	<b>DW-AS-611-C44</b>
NPN N.O.			
PNP N.O. + N.C.	<b>DW-AS-603-C44</b>	<b>DW-AS-603-C44-304</b>	<b>DW-AS-613-C44</b>
PNP N.O.			
Compatible connectors <sup>4)</sup>	M, N	M, N	M, N

\* 50 °C / 85 °C

## 40 X 120

## 60 X 80

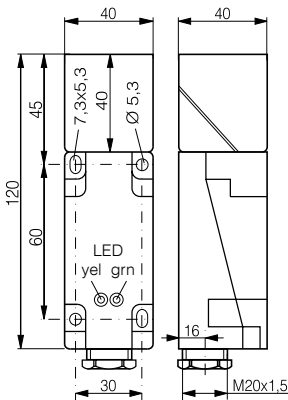
## 80 X 100

15

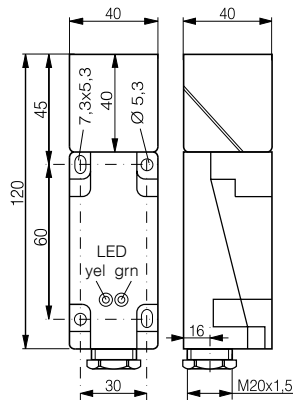
40

50

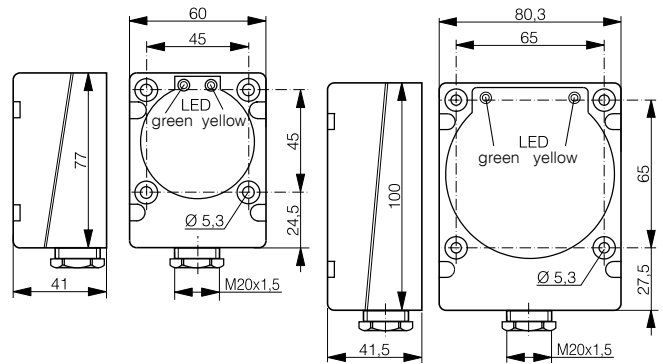
65



Sensing face can be rotated to 5 different sides.



Sensing face can be rotated to 5 different sides.



40 X 120		60 X 80		80 X 100	
PBTP	PBTP	PBTP	PBTP	PBTP	PBTP
Screw terminal	Screw terminal	Screw terminal	Screw terminal	Screw terminal	Screw terminal
IP 65	IP 65	IP 65	IP 65	IP 65	IP 65
Embeddable	Non-embeddable	Non-embeddable	Non-embeddable	Non-embeddable	Non-embeddable
100 Hz	20 Hz	20 Hz	20 Hz	10 Hz	10 Hz
Table 2	Table 3	Table 3	Table 3	Table 3	Table 3
Diagram 2	Diagram 2	Diagram 2	Diagram 2	Diagram 2	Diagram 2
Built-in	Built-in	Built-in	Built-in	Built-in	Built-in
15 ... 34 VDC	10 ... 65 VDC	10 ... 65 VDC	10 ... 65 VDC	10 ... 65 VDC	10 ... 65 VDC
-25 ... +85 °C	-25 ... +85 °C	-25 ... +85 °C	-25 ... +85 °C	-25 ... +85 °C	-25 ... +85 °C
≤ 200 mA / ≤ 150 mA*	≤ 300 mA	≤ 300 mA	≤ 300 mA	≤ 300 mA	≤ 300 mA
CE, RoHS	CE, RoHS	CE, RoHS	CE, RoHS	CE, RoHS	CE, RoHS

40 X 120		60 X 80		80 X 100	
DW-AD-601-C40					
<b>DW-AD-603-C40</b>	<b>DW-AD-613-C40**</b>	<b>DW-AD-613-C60**</b>	<b>DW-AD-613-C60**</b>	<b>DW-AD-613-C80**</b>	<b>DW-AD-613-C80**</b>

\* 50 °C / 85 °C

\*\* N.O. / N.C. switchable

Inductive

Photoelectric

Optical fibers

Ultrasonic

Capacitive

Cables & connectors

Accessories

Glossary

Index