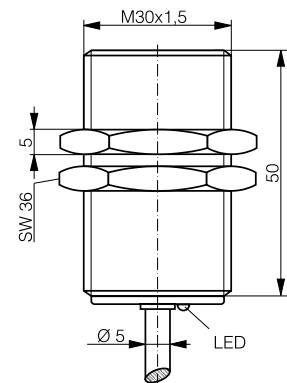
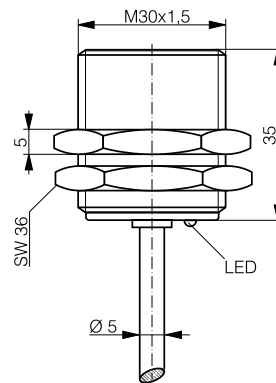
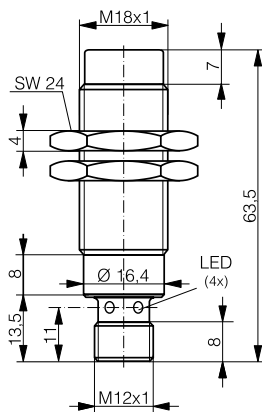


HOUSING SIZE	M18	M30	
OPERATING DISTANCE MM	20*	10	10



ALL-METAL / 60 BAR



- 1) Standard cable length 2 m. Non-standard cable lengths and types on request. Cable type see page 271.
- 2) see page 132
- 3) see page 133
- 4) see page 268

TECHNICAL DATA			
Housing material	Stainless steel V2A	Chrome-plated brass	Chrome-plated brass
Connection ¹⁾	Connector S12	PVC cable type 8	PVC cable type 8
Degree of protection	IP 68 & IP 69K	IP 67	IP 67
Mounting	Non-embeddable	Embeddable	Embeddable
Max. switching frequency	200 Hz	1,200 Hz	1,200 Hz
Additional technical data ²⁾	Table 1	Table 1	Table 1
Wiring ³⁾	Diagram 2	Diagram 1	Diagram 1
LED	Built-in	Built-in	Built-in
Supply voltage range	10 ... 30 VDC	10 ... 30 VDC	10 ... 30 VDC
Ambient temperature range	-25 ... +70 °C	-25 ... +70 °C	-25 ... +70 °C
Output current	≤ 200 mA	≤ 200 mA	≤ 200 mA
Approvals	CE, UL, RoHS	CE, CCC, UL, RoHS	CE, CCC, UL, RoHS

PART REFERENCES: (BOLD: PREFERRED TYPES)			
NPN N.O.	DW-AS-711-M18-002	DW-AD-601-M30-120	DW-AD-601-M30
NPN N.C.	DW-AS-712-M18-002	DW-AD-602-M30-120	DW-AD-602-M30
PNP N.O.	DW-AS-713-M18-002	DW-AD-603-M30-120	DW-AD-603-M30
PNP N.C.	DW-AS-714-M18-002	DW-AD-604-M30-120	DW-AD-604-M30
Compatible connectors ⁴⁾	G, H, M, N (N.O.); M, N (N.C.)		

* versions with 8 mm operating distance on request

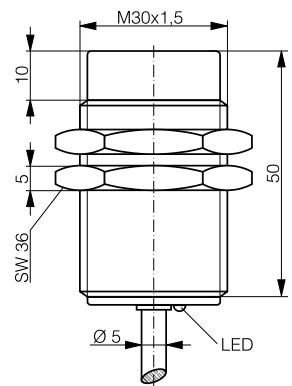
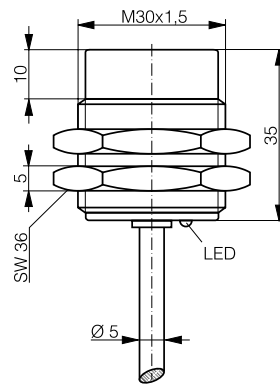
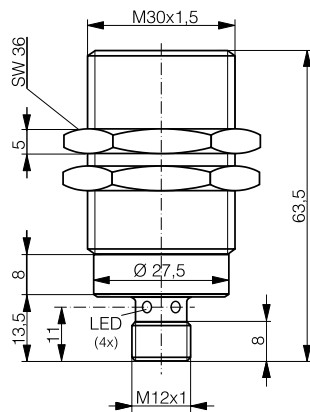
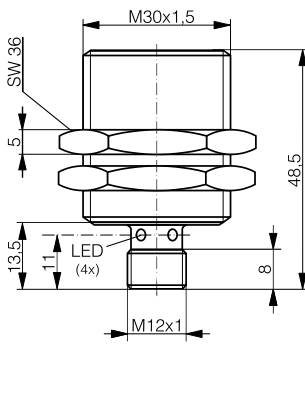
M30

10

10

15

15



Chrome-plated brass	Chrome-plated brass	Chrome-plated brass	Chrome-plated brass
Connector S12	Connector S12	PVC cable type 8	PVC cable type 8
IP 67	IP 67	IP 67	IP 67
Embeddable	Embeddable	Non-embeddable	Non-embeddable
1,200 Hz	1,200 Hz	700 Hz	700 Hz
Table 1	Table 1	Table 1	Table 1
Diagram 2	Diagram 2	Diagram 1	Diagram 1
Built-in	Built-in	Built-in	Built-in
10 ... 30 VDC	10 ... 30 VDC	10 ... 30 VDC	10 ... 30 VDC
-25 ... +70 °C	-25 ... +70 °C	-25 ... +70 °C	-25 ... +70 °C
≤ 200 mA	≤ 200 mA	≤ 200 mA	≤ 200 mA
CE, CCC, UL, RoHS	CE, CCC, UL, RoHS	CE, CCC, UL, RoHS	CE, CCC, UL, RoHS

DW-AS-601-M30-120	DW-AS-601-M30-002	DW-AD-611-M30-120	DW-AD-611-M30
DW-AS-602-M30-120	DW-AS-602-M30-002	DW-AD-612-M30-120	DW-AD-612-M30
DW-AS-603-M30-120	DW-AS-603-M30-002	DW-AD-613-M30-120	DW-AD-613-M30
DW-AS-604-M30-120	DW-AS-604-M30-002	DW-AD-614-M30-120	DW-AD-614-M30
G, H, M, N (N.O.); M, N (N.C.)	G, H, M, N (N.O.); M, N (N.C.)		

Inductive

Photoelectric

Optical fibers

Ultrasonic

Capacitive

Cables & connectors

Accessories

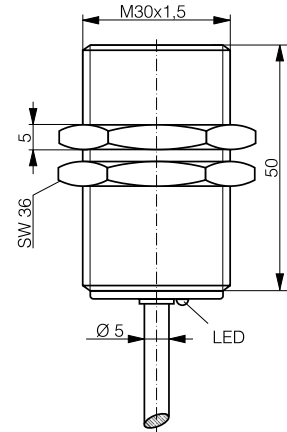
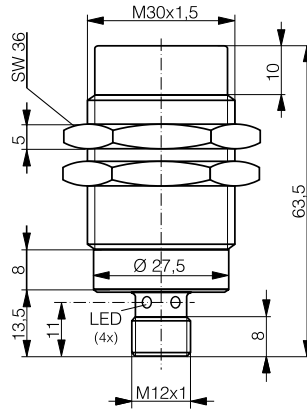
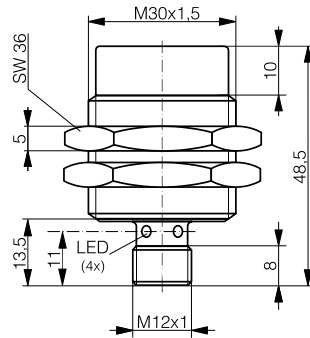
Glossary

Index

HOUSING SIZE	M30		
OPERATING DISTANCE MM	15	15	20*



ALL-METAL / 40 BAR



- 1) Standard cable length 2 m. Non-standard cable lengths and types on request. Cable type see page 271.
- 2) see page 132
- 3) see page 133
- 4) see page 268

TECHNICAL DATA			
Housing material	Chrome-plated brass	Chrome-plated brass	Stainless steel V2A
Connection ¹⁾	Connector S12	Connector S12	PUR cable type 11
Degree of protection	IP 67	IP 67	IP 68 & IP 69K
Mounting	Non-embeddable	Non-embeddable	Embeddable
Max. switching frequency	700 Hz	700 Hz	100 Hz
Additional technical data ²⁾	Table 1	Table 1	Table 1
Wiring ³⁾	Diagram 2	Diagram 2	Diagram 1
LED	Built-in	Built-in	Built-in
Supply voltage range	10 ... 30 VDC	10 ... 30 VDC	10 ... 30 VDC
Ambient temperature range	-25 ... +70 °C	-25 ... +70 °C	-25 ... +70 °C
Output current	≤ 200 mA	≤ 200 mA	≤ 200 mA
Approvals	CE, CCC, UL, RoHS	CE, CCC, UL, RoHS	CE, UL, RoHS

PART REFERENCES: (BOLD: PREFERRED TYPES)			
NPN N.O.	DW-AS-611-M30-120	DW-AS-611-M30-002	DW-AD-701-M30
NPN N.C.	DW-AS-612-M30-120	DW-AS-612-M30-002	DW-AD-702-M30
PNP N.O.	DW-AS-613-M30-120	DW-AS-613-M30-002	DW-AD-703-M30
PNP N.C.	DW-AS-614-M30-120	DW-AS-614-M30-002	DW-AD-704-M30
Compatible connectors ⁴⁾	G, H, M, N (N.O.); M, N (N.C.)	G, H, M, N (N.O.); M, N (N.C.)	

* versions with 10 mm operating distance on request

M30

20*

22

22

22

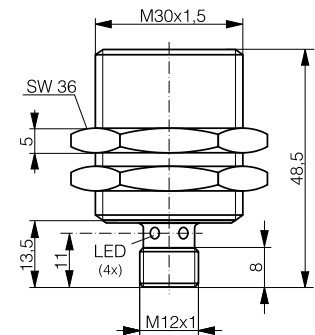
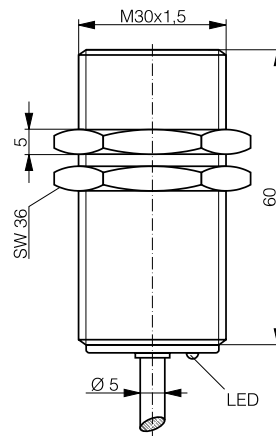
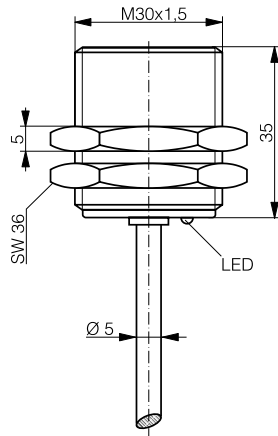
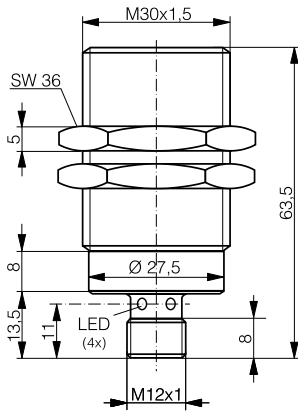


ALL-METAL / 40 BAR

LONG DISTANCE

LONG DISTANCE

LONG DISTANCE



Stainless steel V2A	Chrome-plated brass	Chrome-plated brass	Chrome-plated brass
Connector S12	PVC cable type 8	PVC cable type 8	Connector S12
IP 68 & IP 69K	IP 67	IP 67	IP 67
Embeddable	Quasi-embeddable	Quasi-embeddable	Quasi-embeddable
100 Hz	200 Hz	200 Hz	200 Hz
Table 1	Table 1	Table 1	Table 1
Diagram 2	Diagram 1	Diagram 1	Diagram 2
Built-in	Built-in	Built-in	Built-in
10 ... 30 VDC	10 ... 30 VDC	10 ... 30 VDC	10 ... 30 VDC
-25 ... +70 °C	-25 ... +70 °C	-25 ... +70 °C	-25 ... +70 °C
≤ 200 mA	≤ 200 mA	≤ 200 mA	≤ 200 mA
CE, UL, RoHS	CE, UL, RoHS	CE, UL, RoHS	CE, UL, RoHS

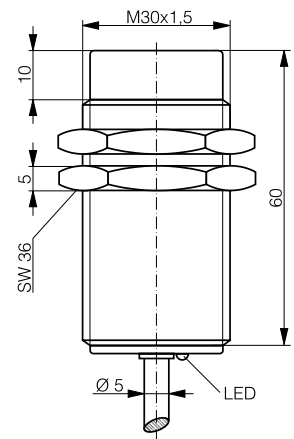
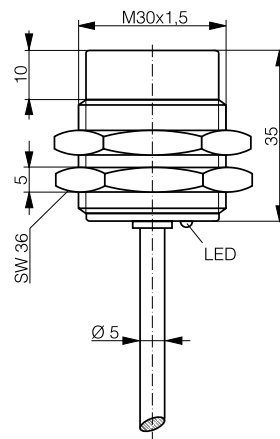
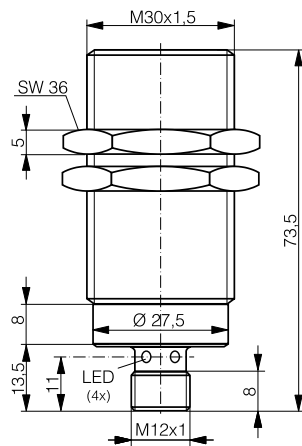
DW-AS-701-M30-002	DW-AD-501-M30-120	DW-AD-501-M30	DW-AS-501-M30-120
DW-AS-702-M30-002	DW-AD-502-M30-120	DW-AD-502-M30	DW-AS-502-M30-120
DW-AS-703-M30-002	DW-AD-503-M30-120	DW-AD-503-M30	DW-AS-503-M30-120
DW-AS-704-M30-002	DW-AD-504-M30-120	DW-AD-504-M30	DW-AS-504-M30-120
G, H, M, N (N.O.); M, N (N.C.)			G, H, M, N (N.O.); M, N (N.C.)

* versions with 10 mm operating distance on request

HOUSING SIZE	M30		
OPERATING DISTANCE MM	22	40	40



LONG DISTANCE LONG DISTANCE LONG DISTANCE



- 1) Standard cable length 2 m. Non-standard cable lengths and types on request. Cable type see page 271.
- 2) see page 132
- 3) see page 133
- 4) see page 268

TECHNICAL DATA

Housing material	Chrome-plated brass	Chrome-plated brass	Chrome-plated brass
Connection ¹⁾	Connector S12	PVC cable type 8	PVC cable type 8
Degree of protection	IP 67	IP 67	IP 67
Mounting	Quasi-embeddable	Non-embeddable	Non-embeddable
Max. switching frequency	200 Hz	100 Hz	100 Hz
Additional technical data ²⁾	Table 1	Table 1	Table 1
Wiring ³⁾	Diagram 2	Diagram 1	Diagram 1
LED	Built-in	Built-in	Built-in
Supply voltage range	10 ... 30 VDC	10 ... 30 VDC	10 ... 30 VDC
Ambient temperature range	-25 ... +70 °C	-25 ... +70 °C	-25 ... +70 °C
Output current	≤ 200 mA	≤ 200 mA	≤ 200 mA
Approvals	CE, UL, RoHS	CE, UL, RoHS	CE, UL, RoHS

PART REFERENCES: (BOLD: PREFERRED TYPES)

NPN N.O.	DW-AS-501-M30-002	DW-AD-511-M30-120	DW-AD-511-M30
NPN N.C.	DW-AS-502-M30-002	DW-AD-512-M30-120	DW-AD-512-M30
PNP N.O.	DW-AS-503-M30-002	DW-AD-513-M30-120	DW-AD-513-M30
PNP N.C.	DW-AS-504-M30-002	DW-AD-514-M30-120	DW-AD-514-M30
Compatible connectors ⁴⁾	G, H, M, N (N.O.); M, N (N.C.)		

M30

40

40

40*

40*

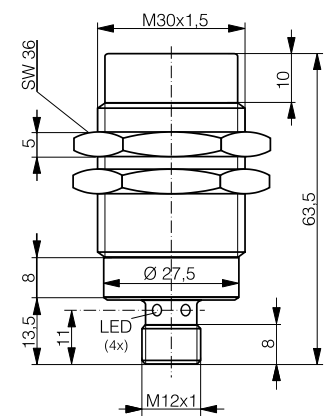
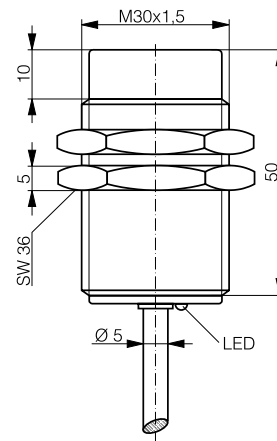
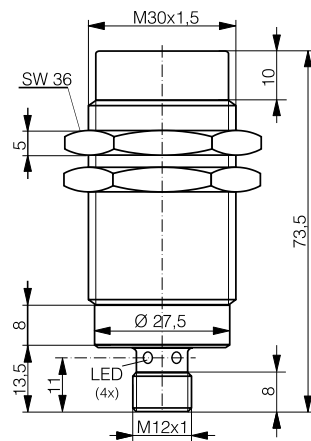
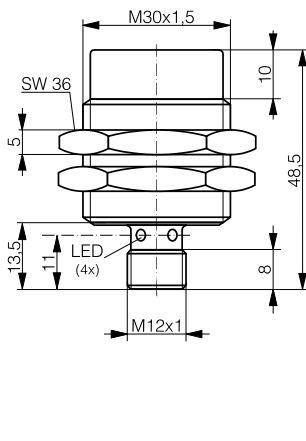


LONG DISTANCE

LONG DISTANCE

ALL-METAL / 40 BAR

ALL-METAL / 40 BAR



Chrome-plated brass

Chrome-plated brass

Stainless steel V2A

Stainless steel V2A

Connector S12

Connector S12

PUR cable type 11

Connector S12

IP 67

IP 67

IP 68 & IP 69K

IP 68 & IP 69K

Non-embeddable

Non-embeddable

Non-embeddable

Non-embeddable

100 Hz

100 Hz

90 Hz

90 Hz

Table 1

Table 1

Table 1

Table 1

Diagram 2

Diagram 2

Diagram 1

Diagram 2

Built-in

Built-in

Built-in

Built-in

10 ... 30 VDC

10 ... 30 VDC

10 ... 30 VDC

10 ... 30 VDC

-25 ... +70 °C

-25 ... +70 °C

-25 ... +70 °C

-25 ... +70 °C

≤ 200 mA

≤ 200 mA

≤ 200 mA

≤ 200 mA

CE, UL, RoHS

CE, UL, RoHS

CE, UL, RoHS

CE, UL, RoHS

DW-AS-511-M30-120

DW-AS-511-M30-002

DW-AD-711-M30

DW-AS-711-M30-002

DW-AS-512-M30-120

DW-AS-512-M30-002

DW-AD-712-M30

DW-AS-712-M30-002

DW-AS-513-M30-120

DW-AS-513-M30-002

DW-AD-713-M30

DW-AS-713-M30-002

DW-AS-514-M30-120

DW-AS-514-M30-002

DW-AD-714-M30

DW-AS-714-M30-002

G, H, M, N (N.O.); M, N (N.C.)

G, H, M, N (N.O.); M, N (N.C.)

G, H, M, N (N.O.); M, N (N.C.)

* versions with 15 mm operating distance on request