

signo 727.1



APPLICATION FIELDS

DISPLAY

PROGRAMMING

Position Indicator with/without Limit Values

- Large, 6-digit, 14 mm high LED display
- Prescaler
- 2 variable limit values
- Easy direct selection by 2 function keys
- Relay output with two change-over contacts
- Connection by plug-in screw terminals
- Chain value or absolute value indication
- Small compact design in DIN dimensions 48 x 96 mm
- Electronic value retention, non polluting – no battery
- npn/pnp programming of inputs
- Optional with RS 232/RS 485 interface

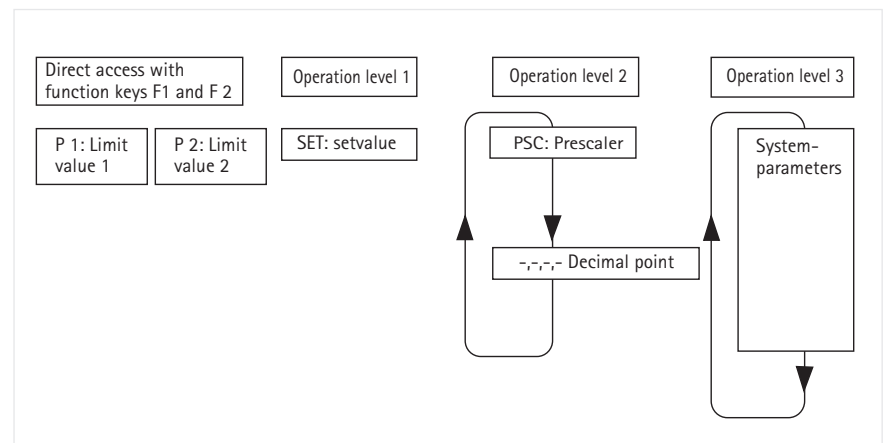
Indication of infeed values, lengths, support- or machine positions, totalizing values etc. The coupling to the machine may be effected e. g. with an incremental shaft encoder from the wide and comprehensive Hengstler program of types RI 30 to RI 58.

6-digit LED display with 14 mm high digits, easy to read, decimal point can be programmed



Section A: shows the actual count value when in counting mode, and the changeable parameters when in programming mode.

Section B: LED indicators showing the active output signal, and in programming mode indicating the changeable parameter.



Programming of signo 727 is possible by direct access and in the 3 operation levels.

Direct access: Limit value 1, Limit value 2 are set with the function keys F1, F2

Operation level 1: Set value

Operation level 2: Includes prescaler and decimal point

Operation level 3: Includes system parameters, which are normally programmed during start-up procedure only.

Unauthorized programming of the signo 727 is prevented by a control input, which can lock the operation levels.

TECHNICAL DATA

Display	7-segment LED, 6 digits, suppression of leading zeros, programmable decimal point
Digit Height	14 mm
Power Supply Voltage U_b	12 ... 24 VDC or 115/230 VAC, depending on version
Current Consumption	12 ... 24 VDC < 250 mA, 115/230 VAC < 60 mA
Sensor Supply	AC operation: 12 ... 24 VDC, DC operation: $U_b - 2 V$, $I_{max.} = 60 mA$
Data Retention	non-volatile memory > 10 years
Operating Temperature	0 ... 50 °C
Storage Temperature	-20 ... +70 °C
Electrical Connection	plug-in terminals
Mounting	with clamping frame
Protection Class (IEC 144)	front side IP 54, terminals IP 20
Noise Immunity EMC	severity according to IEC 801, part 2 + part 4
Vibrostability	10 m/s ² (10 ... 150 Hz) according to IEC 68-part 2-6
Shock Stability	100 m/s ² (18 ms) according to IEC 68-part 2-27
General Rating	according to VDE 0411, DIN 57411, protection class II

Inputs:

Switching Level	< 2 V and > 8 V, max. 40 VDC
Active Edge	positive when pnp input negative when npn input
Pulse Shape	any (square 1:1 at max. frequency)
Input Resistance	approx. 5 kΩ (static)
Count Input	with prescaler programmable 0.0005 bis 99.9999 – as phase discriminator input with single, double or quadruple evaluation – as differential input – as up/down input
Pulse Duration	12,5 μs (40 kHz), 17 ms (30 Hz)
Count Frequency max.	40 kHz or 30 Hz

Control Input:

Application Input 1	static, pulse duration > 3 ms
Display-Hold or Reset-enable, (programmable)	
Application Input 2	(Reset functions)
Reset and/or Chain-Reset, (programmable)	pulse duration > 3 ms or > 17 ms
Gate	static, pulse duration > 12 μs / > 17 ms
Keylock	static, pulse duration > 3 ms

Outputs:

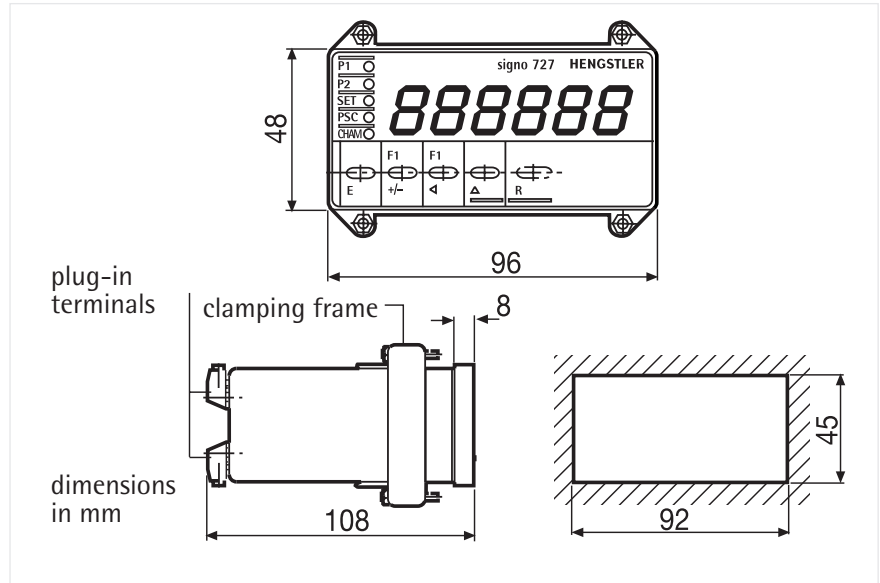
Relay*	Out 1 and Out 2
Contact Type	changeover relay
Switching Voltage	max. 250 VAC / 30 VDC, min. 5 VAC/DC
Switching Current	max. 1A, min. 10 mA
Transistor*	Out 1 and Out 2, PNP, 10 mA

* for versions with limit value only

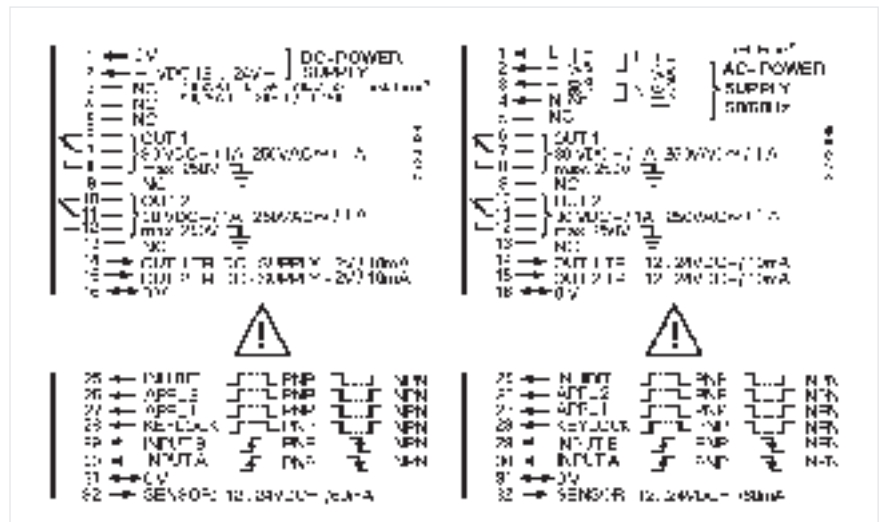
signo 727.1

Technical data

DIMENSIONS



CONNECTION DIAGRAM



(here with Limit values)

ORDER INFORMATION

Type	Supply	Ordering code
signo 727 without limit values	12 ... 24 VDC	0 727 101
signo 727 without limit values	115/230 VAC	0 727 102
signo 727 with 2 limit values	12 ... 24 VDC	0 727 121
signo 727 with 2 limit values	115/230 VAC	0 727 122

This counter is available with several interfaces. See next pages.