

## Type 891



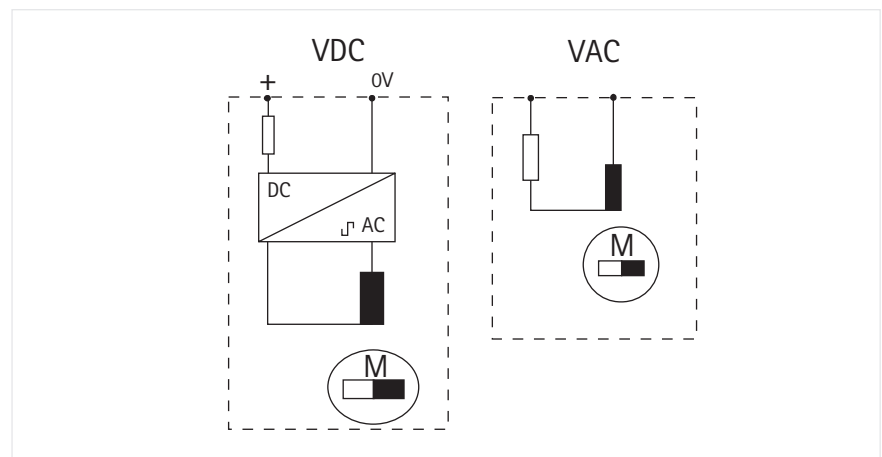
### TECHNICAL DATA

## Time Counter for Surface Mounting, Suitable for AC and DC Operation

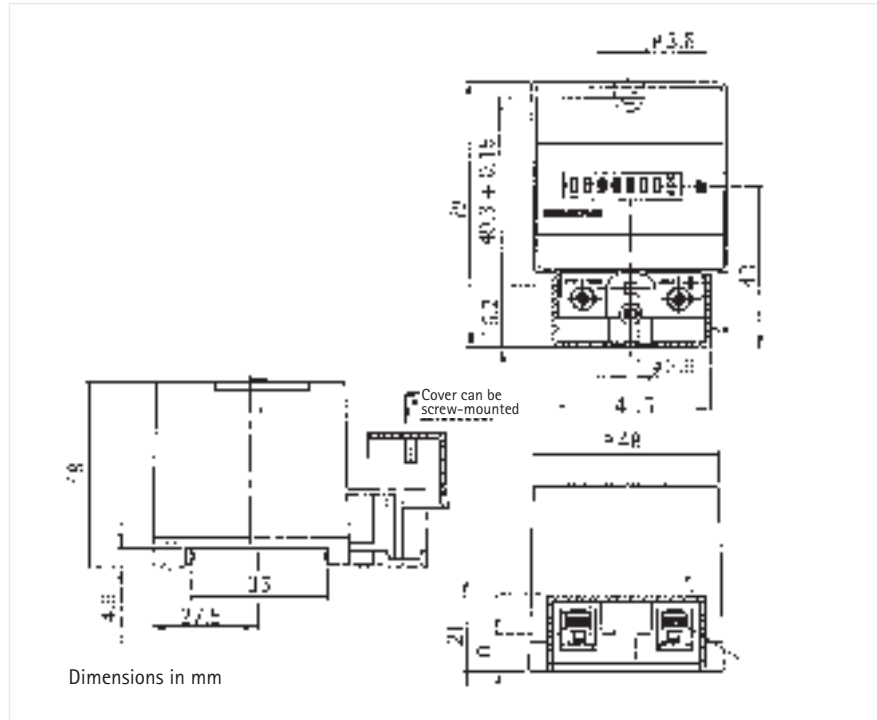
- Low-cost
- DIN rail attachment
- Highly legible display
- Simple installation
- No reset

Display	7-digit, 0 ... 99999.99 h
Digit height	5 mm, visual
Supply voltage $V_{op}$	acc. to order information + 10 % (230 VAC + 15 %)
Power consumption	0.7 VA on AC - 750 mW on DC
Operating temperature	- 10 ... + 50 °C
Storage temperature	- 20 ... + 70 °C
El. connection	screw terminals for cables of max. 2.5 mm <sup>2</sup> and AMP connector 6.3 x 0.8 mm
Mounting	with screws or on DIN rail
Mounting position	roller axis horizontal
Protection class (IEC 144)	front IP 66; screw terminals IP 20, AMP connectors IP 00
Vibrostability	30 m/s <sup>2</sup> (10 ... 500 Hz) acc. to IEC 068-2-6
Shock stability	800 m/s <sup>2</sup> (6 ms) acc. to IEC 068-2-27
General design	acc. to DIN VDE, part 1, protection according to class II, Contamination level 2; Overvoltage category II
Weight	approx. 50 g
Reset	none

### CONNECTION DIAGRAM



## DIMENSIONS Counter



## ORDER INFORMATION Counter

Voltage	Power consumption	Voltage tolerance	Ordering code
24 V 50 Hz	0.1 VA	± 10 %	0 891 501
24 V 60 Hz	0.1 VA	± 10 %	0 891 502
115 V 50 Hz	0.6 VA	± 10 %	0 891 503
115 V 60 Hz	0.6 VA	± 10 %	0 891 504
230 V 50 Hz	0.7 VA	± 15 %	0 891 511
12- 36 V DC	max. 550 mW	± 10 %	0 891 531
40- 60 V DC	max. 50 mW	± 10 %	0 891 532
80-125 V DC	750 mW	± 10 %	0 891 533

Time counters/  
Timer relays