

Pneumatic Signal Indicator

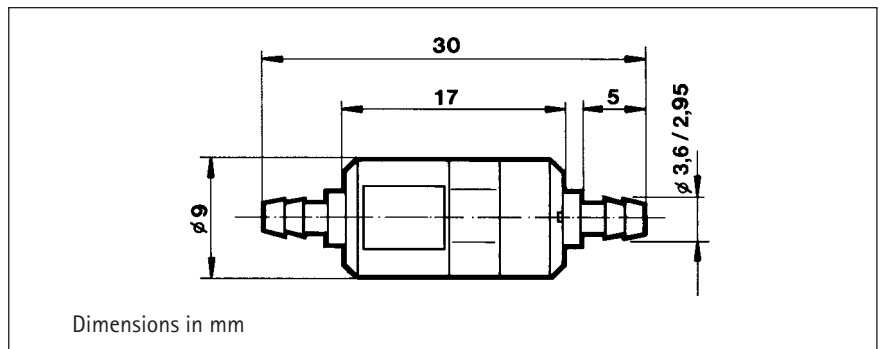


- Signals the operating status of pneumatic hose connections
- Simple installation
- Connections for hoses with 2 or 3 mm inside diameter
- Service pressure 2...8 bar

TECHNICAL DATA

Indication	yellow signal as long as a line is pressurized
Service pressure	2 ... 8 bar
Air quality	filtered, light oil mist permissible
Filter pore width	< 40 µm
Operating temperature	- 15 ... + 60 °C
Storage temperature	- 25 ... + 70 °C
Connection	hose with 2 or 3 mm inside diameter, dep. on version
Mounting	at connection hose
Vibrostability	50 m/s ² (10 ... 500 Hz) acc. to IEC 068-2-6
Shock stability	500 m/s ² (5 ms) acc. to IEC 068-2-27
Maintenance-free operation	> 30 million switching operations
Weight	2 g

DIMENSIONED DRAWING



ORDER INFORMATION

Signal indicator for hoses with 2 mm inside diameter	Ordering code 0 499 210
Signal indicator for hoses with 3 mm inside diameter	Ordering code 0 499 211