

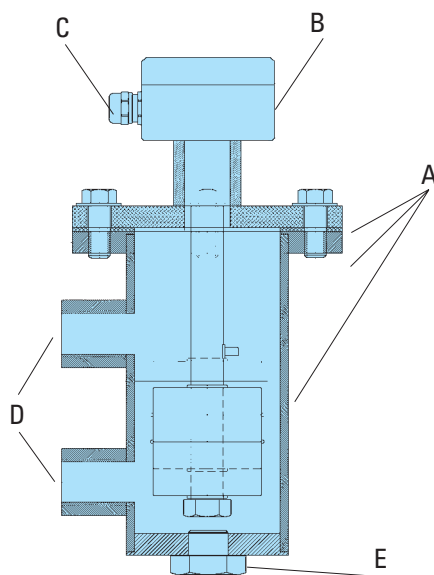
Bypass level float switches

Product advantages

- simple assembly
- long electrical lifetime due to implementation of dry-reed contacts
- high operating safety due to ventilation duct between slide tube, float and side of container

Characteristics

- system of protection IP 65
- lateral installation at the container
- multiple level heights can be monitored with one float
- alternatively normally open/normally closed contact function



Mistakes and omissions excepted, subject to change without notice. Version 2/98

Other lengths (up to 3000 mm) and up to 4 switching points possible, also available with continuous float switch.

	Order ID 400.003.00	406.003.00	409.003.00
	Material		
A-Case bypass	Alu	1.4571	Steel
B-Connecting box	Alu	Alu	Alu
Components	Dimensions		
C-Screw connection	PG 9	PG 9	PG 9
D-Connection thread	G 3/8"	G 3/8"	G 3/8"
E-Vent plug	SW 22	SW 22	SW 22
Operational data			
Max. working temp.	90 °C	150 °C	90 °C
Max. working pressure ²⁾	20 bar	20 bar	20 bar
Contact	1 change-over	1 change-over	1 change-over
Switching capacity	230 V /1,0 A /60 VA	230 V /1,0 A /60 VA	230 V /1,0 A /60 VA

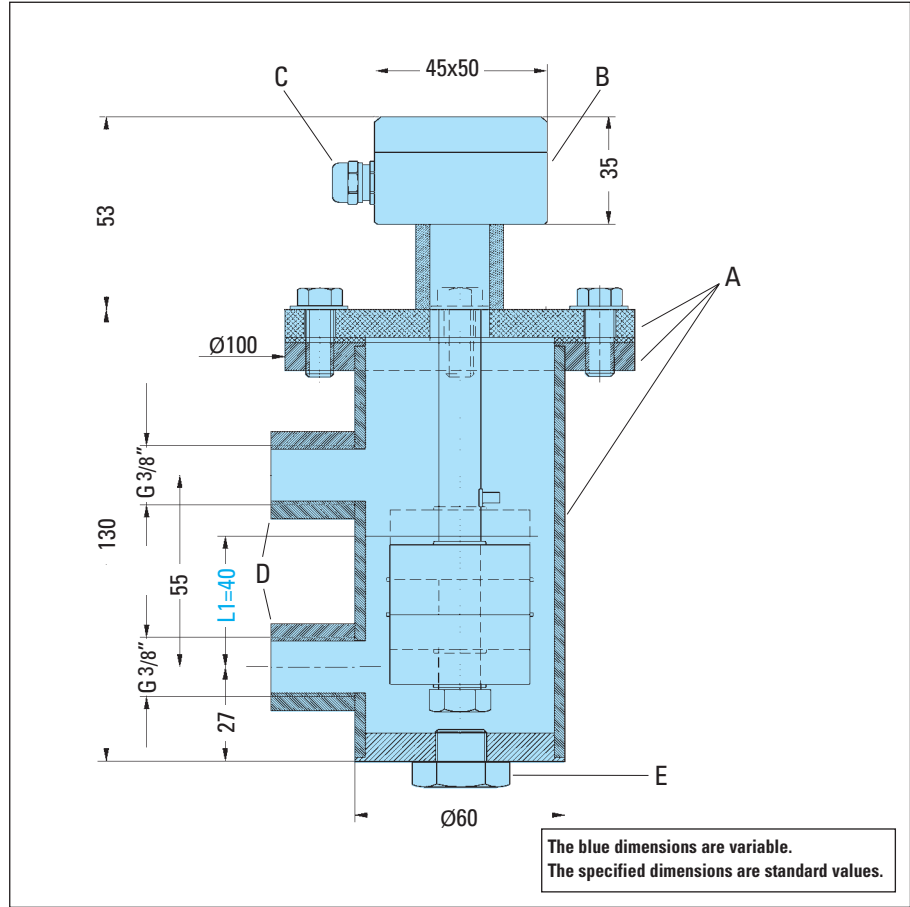
²⁾ Higher pressures upon request

Order Fax

Bypass level float switches

Please copy the order form, complete the list below with the desired dimensions, and then use the copy as order form.

Reference point for additional switching points is the centre of the lower, lateral connecting branch.



- L₁ = mm
- L₂ = mm
- L₃ = mm
- L₄ = mm

Data deviating from the standard:

	Type number
Working temperature	°C:
Working pressure	bar:
Medium/spec. gravity	g/cm ³ :
Connection thread	
Distance connection pieces	
Connection flanges (upon request)	
Order quantity	Units:

Date

Ordered by

Company

Street

City

Signature

Mistakes and omissions excepted, subject to change without notice. Version 2/98