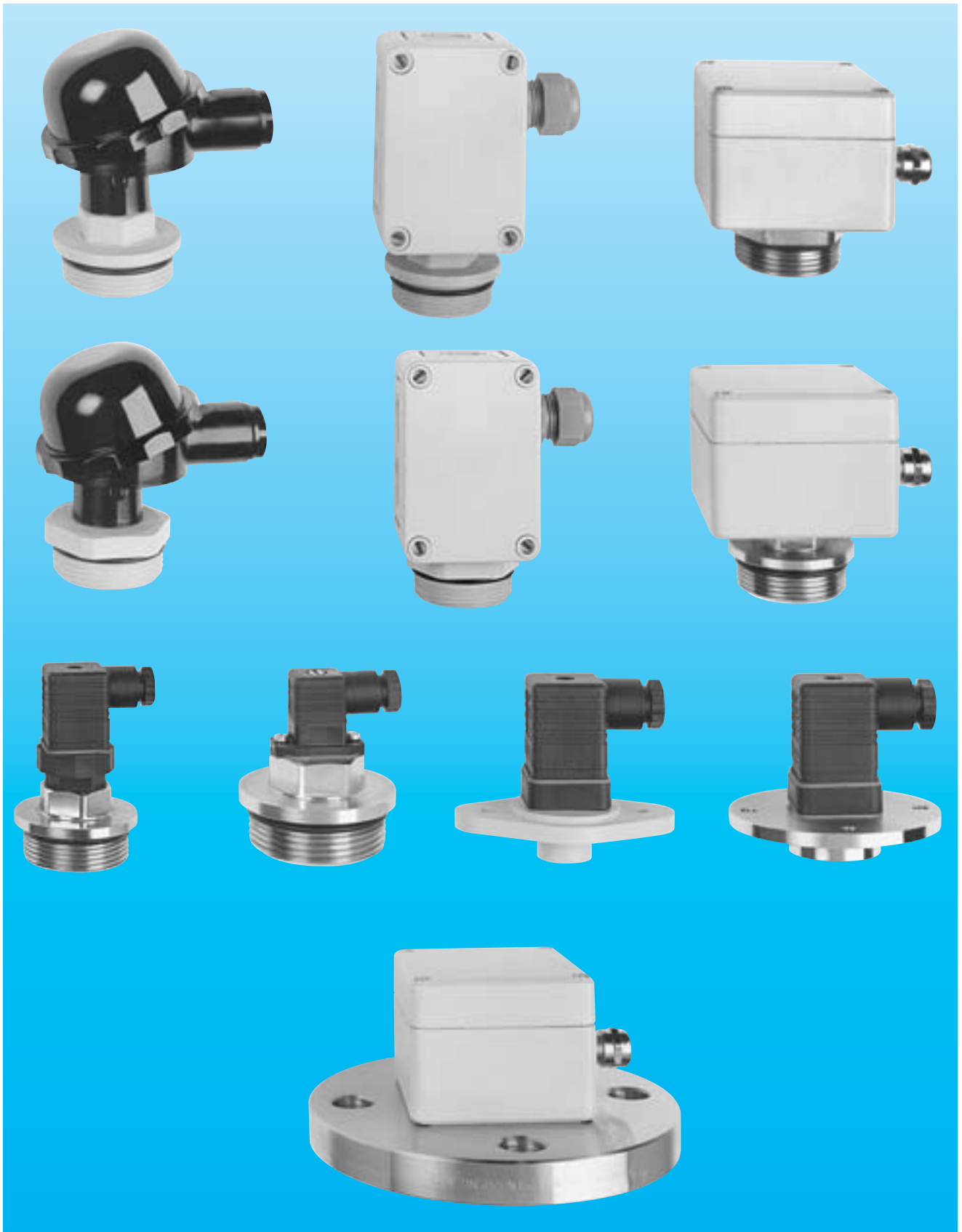


# Screw connections and flanges – Overview –

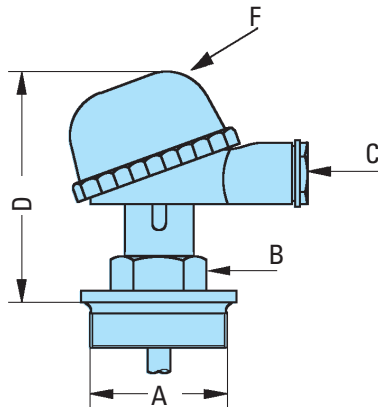


Mistakes and omissions excepted, subject to change without notice. Version 2/98



# Screw connections

## Type 1 for slide tube with $\varnothing$ 8 mm and 12 mm

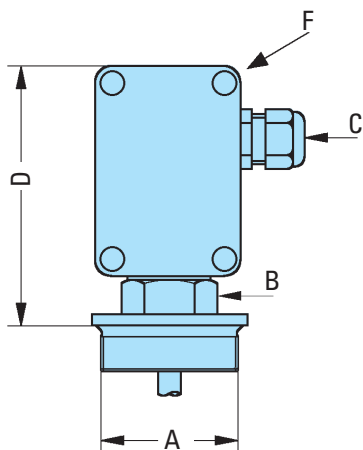


Mistakes and omissions excepted, subject to change without notice. Version 2/98

Material	Order ID			
	2 1.680	2 1.681	2 1.682	2 1.683
PA	2 1 1	2 1 1	2 1 1	2 1 1
STEEL	2 2 1	2 2 1	2 2 1	2 2 1
PTFE	2 3 1	2 3 1	2 3 1	2 3 1
PVC	2 5 1	2 5 1	2 5 1	2 5 1
VA	2 6 1	2 6 1	2 6 1	2 6 1
PP	2 7 1	2 7 1	2 7 1	2 7 1
PVDF	2 8 1	2 8 1	2 8 1	2 8 1
M S	2 9 1	2 9 1	2 9 1	2 9 1
Components	Dimensions and material			
A-Connecting thread	R 3/4"	R 1"	R 1 1/2"	R 2"
B-Opening of the spanner	SW 24	SW 27	SW 30	SW 36
C-Screw connection	PG 16	PG 16	PG 16	PG 16
D-Overall height	90	110	110	114
F-Case material	PA	PA	PA	PA

# Screw connections

## Type 2 for slide tube with $\varnothing$ 8 mm and 12 mm

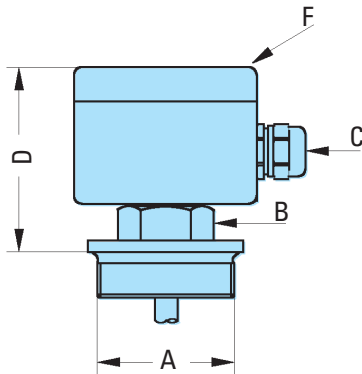


Material	Order ID			
	2 2.680	2 2.681	2 2.682	2 2.683
PA	2 1 2	2 1 2	2 1 2	2 1 2
STEEL	2 2 2	2 2 2	2 2 2	2 2 2
PTFE	2 3 2	2 3 2	2 3 2	2 3 2
PVC	2 5 2	2 5 2	2 5 2	2 5 2
VA	2 6 2	2 6 2	2 6 2	2 6 2
PP	2 7 2	2 7 2	2 7 2	2 7 2
PVDF	2 8 2	2 8 2	2 8 2	2 8 2
M S	2 9 2	2 9 2	2 9 2	2 9 2
Components	Dimensions and material			
A-Connecting thread	R 3/4"	R 1"	R 1 1/2"	R 2"
B-Opening of the spanner	SW 24	SW 27	SW 30	SW 36
C-Screw connection	PG 16	PG 16	PG 16	PG 16
D-Overall height	109	111	111	114
F-Case material	ABS	ABS	ABS	ABS

Mistakes and omissions excepted, subject to change without notice. Version 2/98

# Screw connections

## Type 3 for slide tube with $\varnothing$ 8 mm and 12 mm

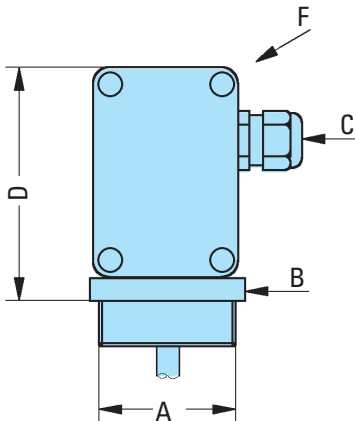
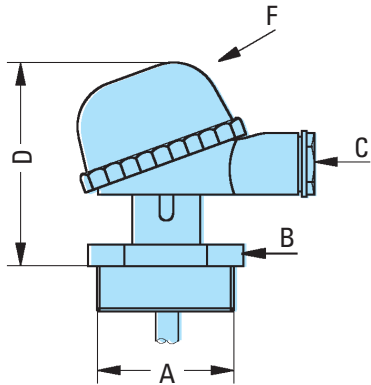


Mistakes and omissions excepted, subject to change without notice. Version 2/98

Material	Order ID			
	2 3.680	2 3.681	2 3.682	2 3.683
PA	2 1 3	2 1 3	2 1 3	2 1 3
STEEL	2 2 3	2 2 3	2 2 3	2 2 3
PTFE	2 3 3	2 3 3	2 3 3	2 3 3
PVC	2 5 3	2 5 3	2 5 3	2 5 3
VA	2 6 3	2 6 3	2 6 3	2 6 3
PP	2 7 3	2 7 3	2 7 3	2 7 3
PVDF	2 8 3	2 8 3	2 8 3	2 8 3
M S	2 9 3	2 9 3	2 9 3	2 9 3
Components	Dimensions and material			
A-Connecting thread	R 3/4"	R 1"	R 1 1/2"	R 2"
B-Opening of the spanner	SW 24	SW 27	SW 30	SW 36
C-Screw connection	PG 9	PG 9	PG 9	PG 9
D-Overall height	74	76	77	79
F-Case material	ALU	ALU	ALU	ALU

# Screw connections

## Type 4 and Type 5 for slide tube with Ø 8 mm and 12 mm

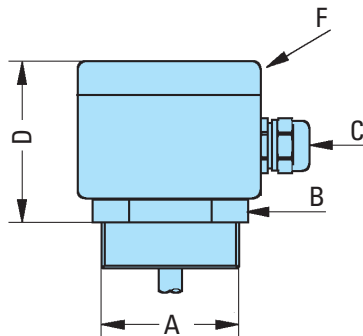


Material	Type 4		Type 5	
	Order ID	Order ID	Order ID	Order ID
Screw connection	2 4.681	2 4.682	2 5.681	2 5.682
PA	2 1 4	2 1 4	2 1 5	2 1 5
PVC	2 5 4	2 5 4	2 5 5	2 5 5
VA	-	2 6 4	-	2 6 5
PP	2 7 4	-	2 7 5	-
MS	-	2 9 4	-	2 9 4
Components	Dimensions and material		Dimensions and material	
A-Connecting thread	R 1"	R 1 1/2"	R 1"	R 1 1/2"
B-Opening of the spanner	SW 40	SW 50	SW 40	SW 50
C-Screw connection	PG 16	PG 16	PG 16	PG 16
D-Overall height	86	86	105	105
F-Case material	PA	PA	ABS	ABS

Mistakes and omissions excepted, subject to change without notice. Version 2/98

# Screw connections

## Type 6 for slide tube with $\varnothing$ 8 mm and 12 mm



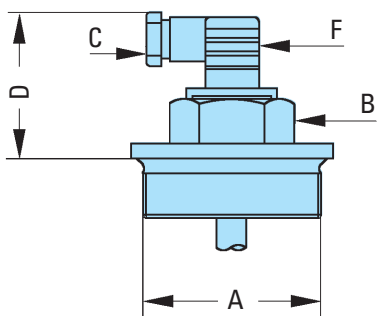
Material	Order ID	
	2 1 6	2 1 6
Screw connection	6.681	6.682
PA	2 1 6	2 1 6
PVC	2 5 6	2 5 6
VA	-	2 6 6
PP	2 7 6	-
MS	-	2 9 6
Components	Dimensions and material	
A-Connecting thread	R 1"	R 1 1/2"
B-Opening of the spanner	SW 40	SW 50
C-Screw connection	PG 9	PG 9
D-Overall height	70	70
F-Case material	ALU	ALU

Mistakes and omissions excepted, subject to change without notice. Version 2/98

# Screw connections

## Type 8 for slide tube with $\varnothing$ 8 mm and 12 mm

Plug 6-pole without

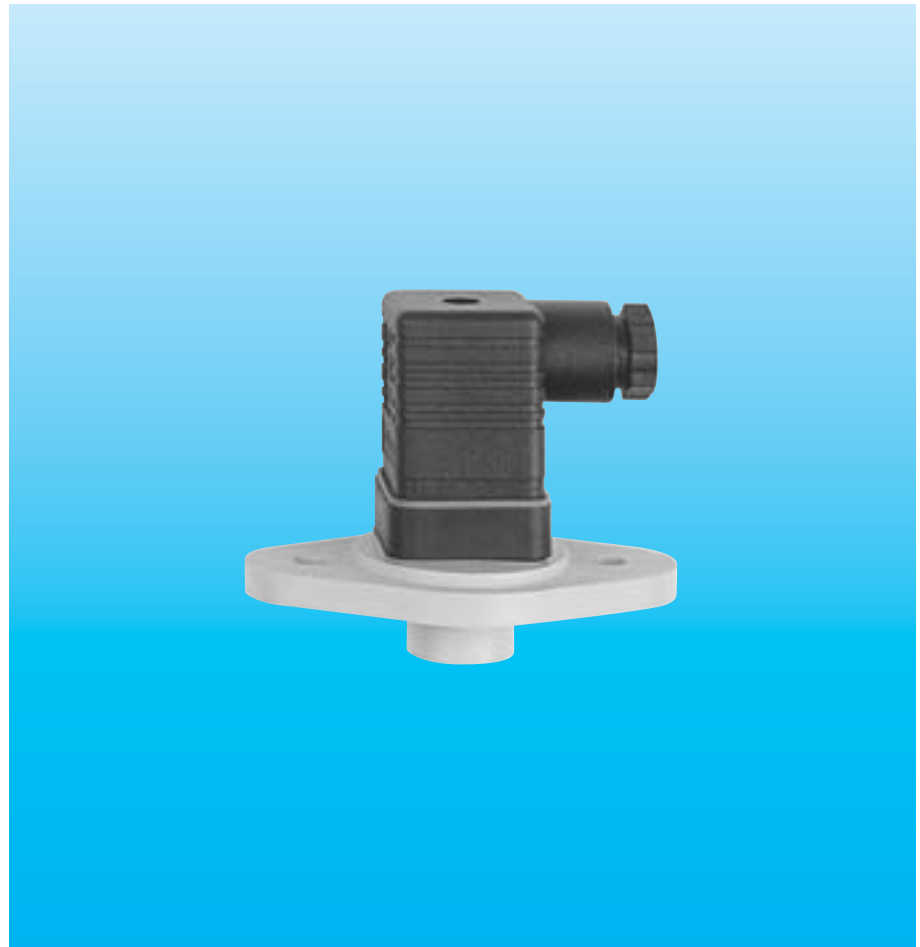
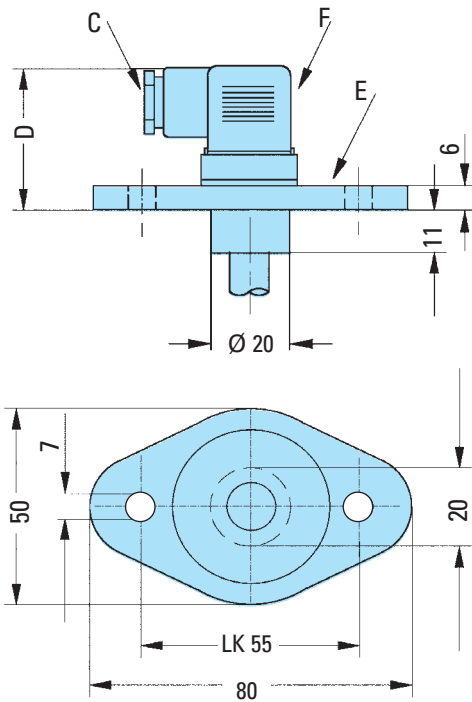


Material Screw connection	Order ID		
	2 1 8.680	2 2 8.681	2 3 8.682
PA	2 1 8	2 1 8	2 1 8
STEEL	2 2 8	2 2 8	2 2 8
PTFE	2 3 8	2 3 8	2 3 8
PVC	2 5 8	2 5 8	2 5 8
VA	2 6 8	2 6 8	2 6 8
PP	2 7 8	2 7 8	2 7 8
PVDF	2 8 8	2 8 8	2 8 8
M S	2 9 8	2 9 8	2 9 8
Components	Dimensions and material		
A-Connecting thread	R 3/4"	R 1"	R 1 1/2"
B-Opening of the spanner	SW 24	SW 27	SW 30
C-Screw connection	PG 7	PG 7	PG 7
D-Overall height	42	43	45
F-Case material	PA	PA	PA

Mistakes and omissions excepted, subject to change without notice. Version 2/98

# Connecting flanges

## Type 9 for slide tube with $\varnothing 8$ mm and 12 mm



	Order ID	
<b>Material</b>	<b>371.680</b>	<b>372.680</b>
E-Flange	PP	PP
<b>Components</b>	<b>Dimensions and material</b>	
Plug	3-pole with $\oplus$	6-pole without $\oplus$
C-Connection	PG 9	PG 7
D-Overall height	47	30
F-Case material	PA	PA

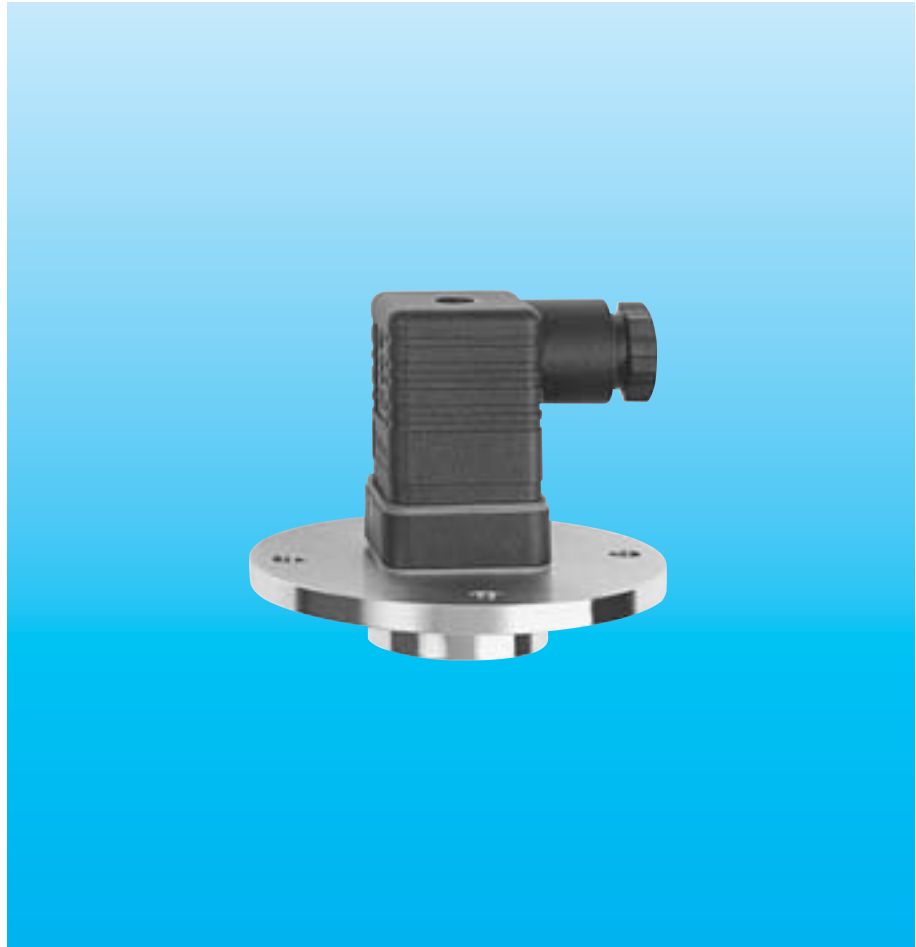
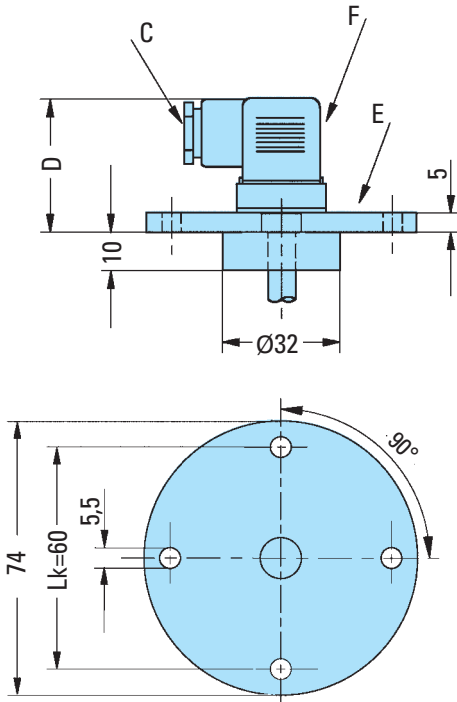
Mistakes and omissions excepted, subject to change without notice. Version 2/98

# Connecting flanges

## Type 10

### for slide tube

with  $\varnothing$  8 mm and 12 mm



Material E-Flange	Order ID	
	3	3
PA	1.681	2.681
STEEL	3 1 1	3 1 2
PTFE	3 2 1	3 2 2
PVC	3 3 1	3 3 2
VA	3 5 1	3 5 2
PP	3 6 1	3 6 2
PVDF	3 7 1	3 7 2
M S	3 8 1	3 8 2
	3 9 1	3 7 0
Components	Dimensions and material	
Plug	3-pole	6-pole
C-Connection	PG 9	PG 7
D-Overall height	47	30
F-Case material	PA	PA

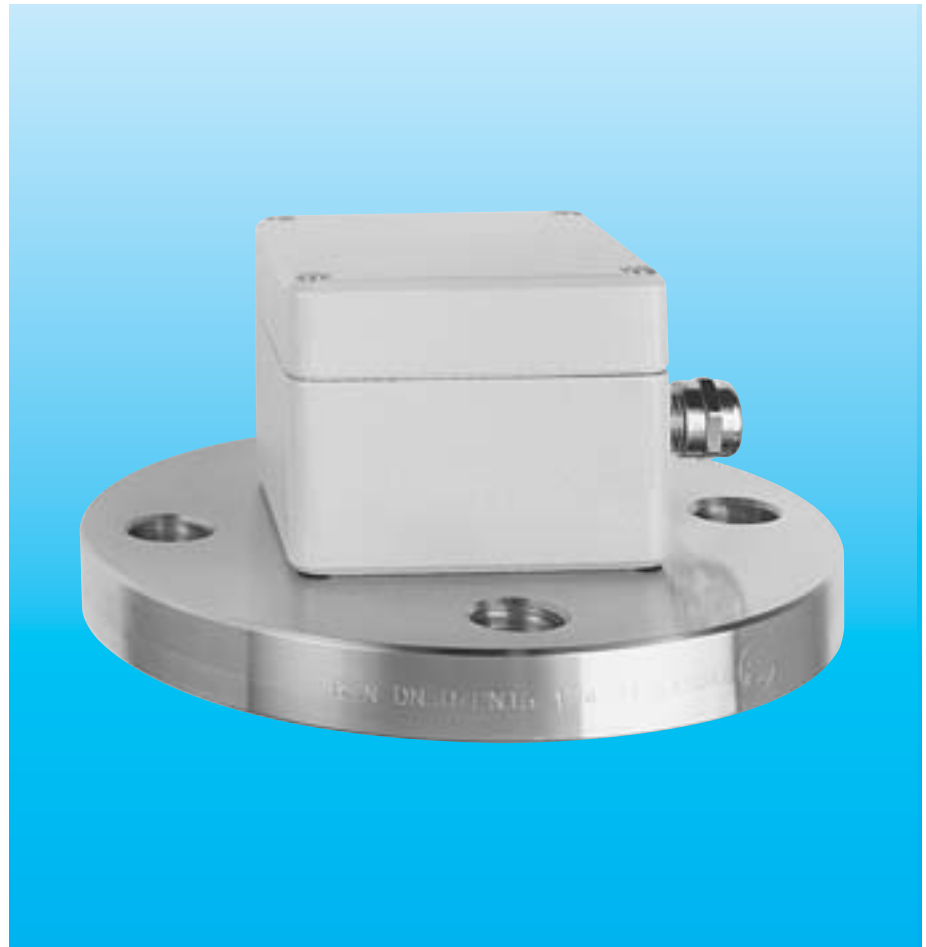
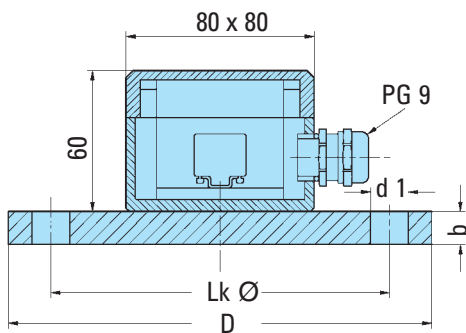
Mistakes and omissions excepted, subject to change without notice. Version 2/98

# Connecting flanges

## Type 11 Form B

### for slide tube

with  $\varnothing 8$  mm and 12 mm according to DIN 2527



Nominal width	D	b	LKØ	for thread	Number d1	Material	Connecting box	Order ID
10	90	14	60	M 12	4	Steel	ALU	225.700
15	95	14	65	M 12	4	Steel	ALU	225.701
20	105	16	75	M 12	4	Steel	ALU	225.702
25	115	16	85	M 12	4	Steel	ALU	225.703
32	140	16	100	M 16	4	Steel	ALU	225.704
40	150	16	110	M 16	4	Steel	ALU	225.705
50	165	18	125	M 16	4	Steel	ALU	225.706
65	185	18	145	M 16	4	Steel	ALU	225.707
80	200	20	160	M 16	8	Steel	ALU	225.708
100	220	20	180	M 16	8	Steel	ALU	225.709
125	250	22	210	M 16	8	Steel	ALU	225.710
150	285	22	240	M 20	8	Steel	ALU	225.711

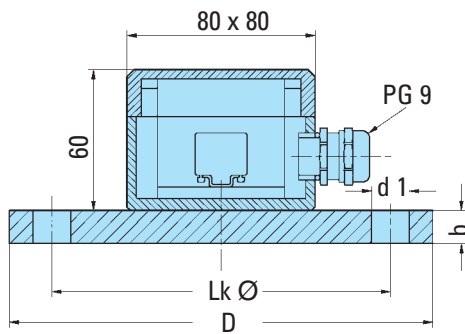
Nominal width	D	b	LKØ	for thread	Number d1	Material	Connecting box	Order ID
65	185	18	145	M 16	4	PTFE	ALU	235.707
80	200	20	160	M 16	8	PTFE	ALU	235.708
100	220	20	180	M 16	8	PTFE	ALU	235.709
125	250	22	210	M 16	8	PTFE	ALU	235.710
150	285	22	240	M 20	8	PTFE	ALU	235.711

Mistakes and omissions excepted, subject to change without notice. Version 2/98

# Connecting flanges

## Type 11 Form B

for slide tube  
with  $\varnothing 8$  mm and 12 mm  
according to DIN 2527



Nominal width	D	b	LKØ	for thread	Number d1	Material	Connecting box	Order ID
10	90	14	60	M 12	4	PVC	ABS	255.700
15	95	14	65	M 12	4	PVC	ABS	255.701
20	105	16	75	M 12	4	PVC	ABS	255.702
25	115	16	85	M 12	4	PVC	ABS	255.703
32	140	16	100	M 16	4	PVC	ABS	255.704
40	150	16	110	M 16	4	PVC	ABS	255.705
50	165	18	125	M 16	4	PVC	ABS	255.706
65	185	18	145	M 16	4	PVC	ABS	255.707
80	200	20	160	M 16	8	PVC	ABS	255.708
100	220	20	180	M 16	8	PVC	ABS	255.708
125	250	22	210	M 16	8	PVC	ABS	255.710
150	285	22	240	M 20	8	PVC	ABS	255.711

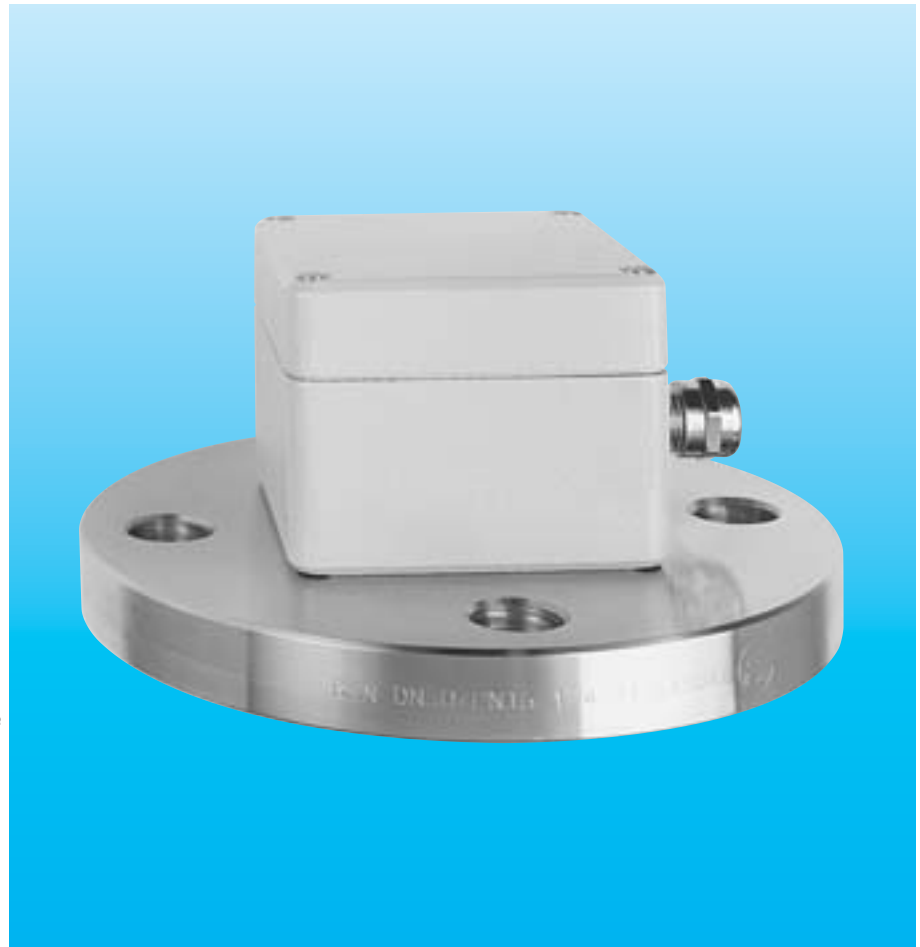
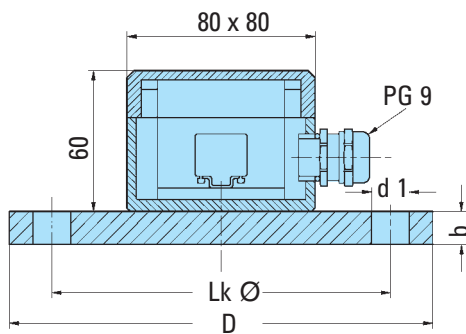
Mistakes and omissions excepted, subject to change without notice. Version 2/98

# Connecting flanges

## Type 11 Form B

### for slide tube

with  $\varnothing$  8 mm and 12 mm according to DIN 2527



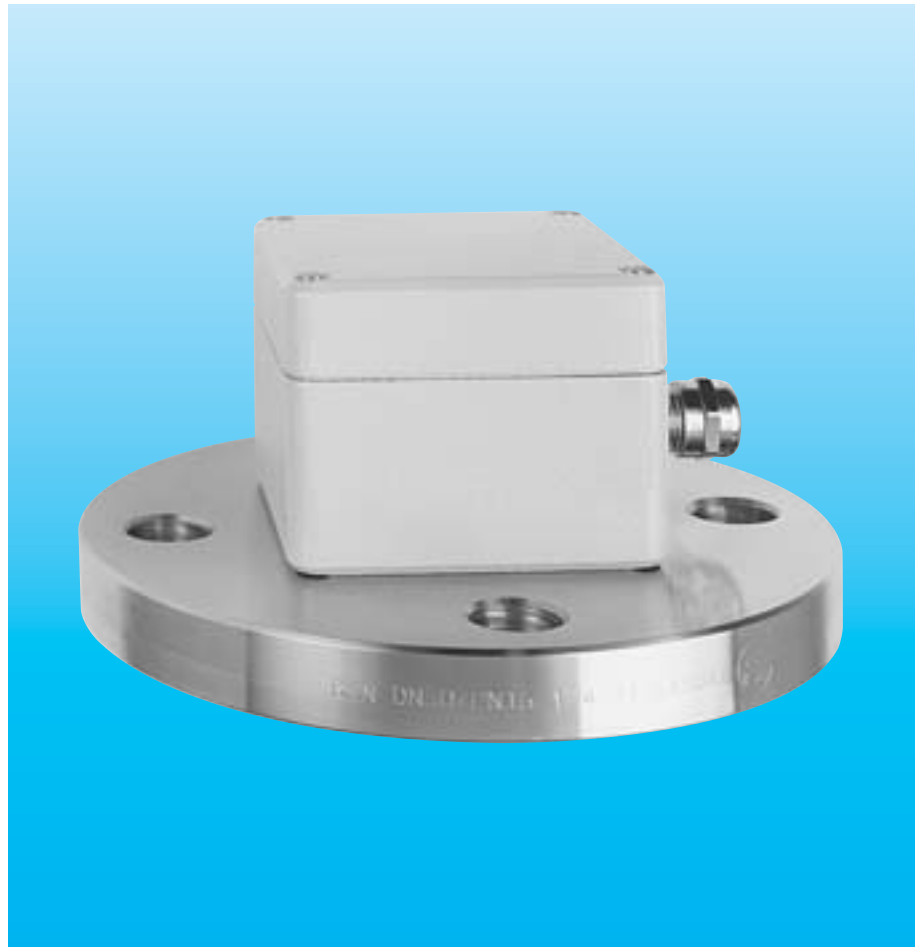
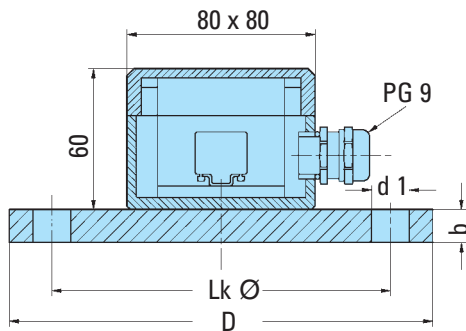
Nominal width	D	b	LKØ	for thread	Number	Material	Connecting box	Order ID
10	90	14	60	M 12	4	VA 1.4571	ALU	265.700
15	95	14	65	M 12	4	VA 1.4571	ALU	265.701
20	105	16	75	M 12	4	VA 1.4571	ALU	265.702
25	115	16	85	M 12	4	VA 1.4571	ALU	265.703
32	140	16	100	M 16	4	VA 1.4571	ALU	265.704
40	150	16	110	M 16	4	VA 1.4571	ALU	265.705
50	165	18	125	M 16	4	VA 1.4571	ALU	265.706
65	185	18	145	M 16	4	VA 1.4571	ALU	265.707
80	200	20	160	M 16	8	VA 1.4571	ALU	265.708
100	220	20	180	M 16	8	VA 1.4571	ALU	265.709
125	250	22	210	M 16	8	VA 1.4571	ALU	265.710
150	285	22	240	M 20	8	VA 1.4571	ALU	265.711

Mistakes and omissions excepted, subject to change without notice. Version 2/98

# Connecting flanges

## Type 11 Form B

for slide tube  
with  $\varnothing 8$  mm and 12 mm  
according to DIN 2527



Nominal width	D	b	LKØ	for thread	Number d1	Material	Connecting box	Order ID
10	90	14	60	M 12	4	PP	ABS	275.700
15	95	14	65	M 12	4	PP	ABS	275.701
20	105	16	75	M 12	4	PP	ABS	275.702
25	115	16	85	M 12	4	PP	ABS	275.703
32	140	16	100	M 16	4	PP	ABS	275.704
40	150	16	110	M 16	4	PP	ABS	275.705
50	165	18	125	M 16	4	PP	ABS	275.706
65	185	18	145	M 16	4	PP	ABS	275.707
80	200	20	160	M 16	8	PP	ABS	275.708
100	220	20	180	M 16	8	PP	ABS	275.709
125	250	22	210	M 16	8	PP	ABS	275.710
150	285	22	240	M 20	8	PP	ABS	275.711

Mistakes and omissions excepted, subject to change without notice. Version 2/98