

Float switches

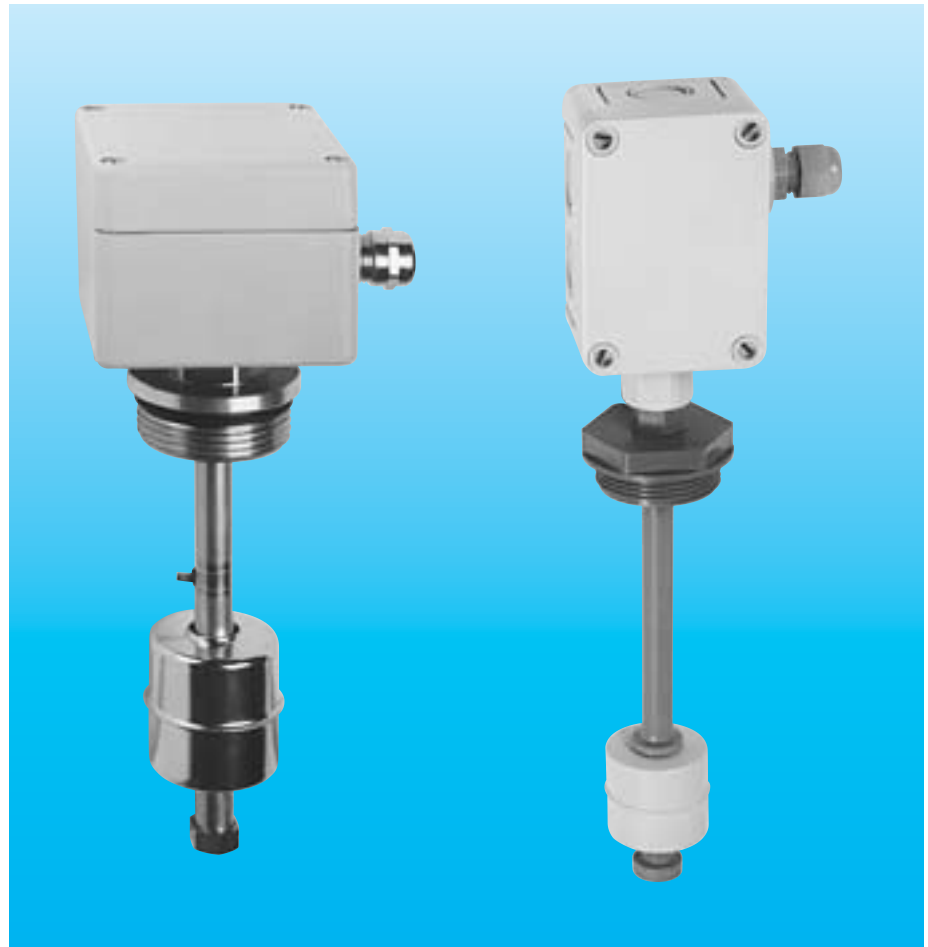
Typ 234 - 294

Product advantages

- simple assembly
- long electrical lifetime due to implementation of dry-reed contacts
- high operating safety due to ventilation duct between slide tube and float

Characteristics

- system of protection IP 67
- installation in the cover of the container (from the top) or bottom of the container (from the bottom) possible
- multiple level heights can be monitored with one float
- alternatively normally open/normally closed contact function or change-over contact



Contact function with rising level	Order ID							
	234.00	244.00	254.00	264.00	274.00	284.00	294.00	
Normally open contact	001	001	001	001	001	001	001	001
Normally closed contact	002	002	002	002	002	002	002	002
Change-over contact	003	003	003	003	003	003	003	003
Components	Only upon request			Material		Only upon request		
Slide tube	PTFE	PVCHT	PVC	VA	PP	PVDF	MS	
Float	PTFE	PVCHT	PVC	VA	PP	PVDF	VA	
Screw connection	PTFE ⁴⁾	PP	PVC	VA	PP	PVDF	MS	
Connecting box	ABS 95x65x57	ABS 95x65x57	ABS 95x65x57	ALU 80x80x60	ABS 95x65x57	ABS 95x65x57	ALU 80x80x60	
Operational data of the standard model ¹⁾								
Working temp. cont./temp. possible w. temp. (u. request)	—	80 °C / 90 °C	55 °C / 60 °C	90 °C / 90 °C	90 °C / 90 °C	—	90 °C / 90 °C	
Max. admis. working pres. screw connection fixed	—	3 bar	3 bar	3 bar	3 bar	—	3 bar	
	—	3 bar	3 bar	20 bar	3 bar	—	20 bar	

¹⁾The data relate to the ambient temperature T = 20°C.

Switching capacity Normally open contact / normally closed contact / change-over contact
230 V~/~
1.0 A 60 VA
Higher switching capacity upon request

Switching points (number) 1 normally open contact / normally closed contact / change-over contact with standard length upon request:
max. 4 normally open contacts / normally closed contacts or max. 3 change-over contacts

Switching behaviour All functions are bistable.



Other designs upon request.

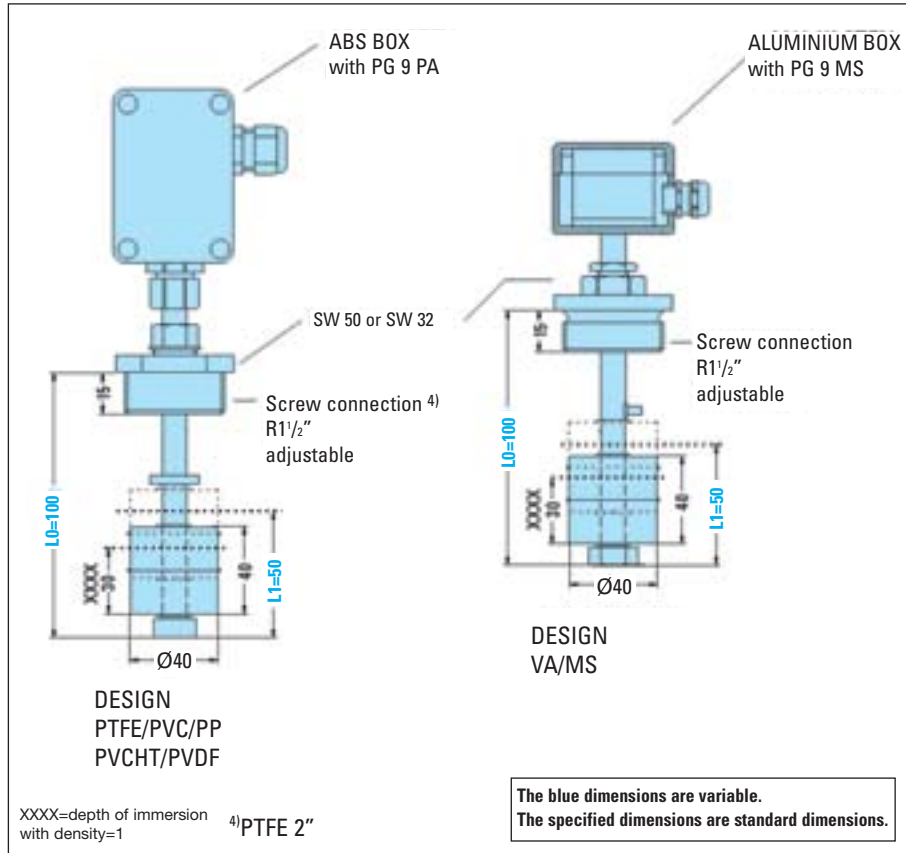
⁴⁾ Only 2" screw connections possible

Order Fax

Float switches Typ 234 - 294

The switch can be designed for up to 4 levels. The minimum distances are type dependent and are specifically set by the manufacturer. The desired levels can be indicated in the following list.

Please copy the order form, complete the list below with the desired dimensions, and then use the copy as order form.



- L₀ = mm
- L₁ = mm
- L₂ = mm
- L₃ = mm
- L₄ = mm

Type number			
Connecting head/flange			
Float			
Cable silicone/PVC		Length in metres:	
Working temperature		°C:	
Working pressure		bar:	
Switching capacity	V:	A:	VA:
Medium			
Specific gravity		g/cm ³ :	
Order quantity		Units:	
Installation	from the top: <input type="checkbox"/>	from the bottom: <input type="checkbox"/>	

Date

Ordered by

Company

Street

City

Signature

Mistakes and omissions excepted, subject to change without notice. Version 2/98