

Safety door interlocks

TZM/TZF type series

Spring-operated versions

Features

- Interlocking device to EN 1088 with failsafe device
- Funnel-shaped entry for actuator, suitable for large door tolerances
- Holding force 1,500 N
- Operating head adjustable 3 x 90°
- Closed circuit-current principle (unlocked under voltage)

Cross-references

- General description: refer to page 3
- Contact configuration: see below
- Actuator: refer to page 54
- Accessories: refer to page 58
- Assembly instructions: refer to page 68
- Technical data: refer to page 69

Options (on request)

- Plug connection
- Version with Viton seals for use with particularly aggressive media
- Individually coded actuator
- Other voltages



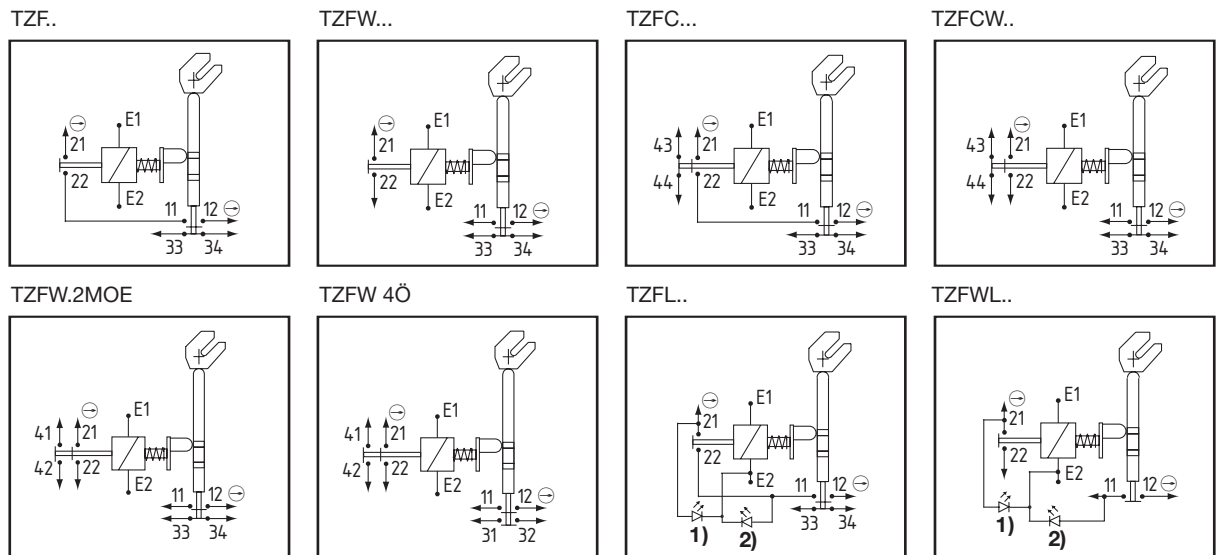
N.B.

Actuator: standard actuator TZ/CO supplied. Refer to page 54 for dimensions and other actuators.



LED display: In the case of devices with LED display the NC contacts are not floating. Only sequencing circuitry may be used in which the two channels are controlled with positive potential.

Contact configurations



Representations of the contacts with unlocked solenoid and open guard.
LED display: 1) green "locked", 2) yellow "door closed"

Test symbol (with respect to the basic design)

BIA 954023

A031156

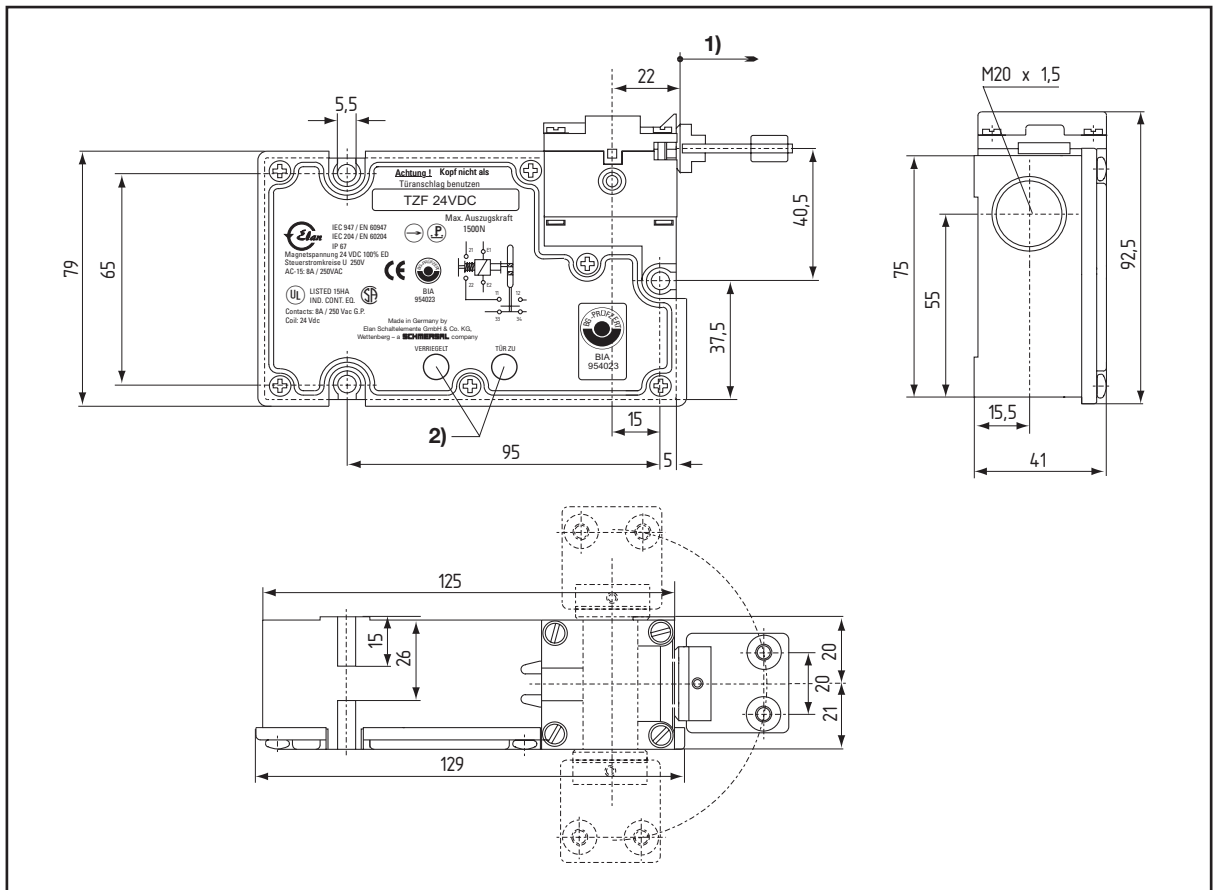
Scope of delivery

Door interlock, standard actuator, fixing material, disposable screws

Product table

Type	Version	Supply voltage	Part number
2 NC in series ...			
TZF	... + 1 NO	24 VDC	191 5000
TZF 115	... + 1 NO	115 VAC	191 5120
TZF 230	... + 1 NO	230 VAC	191 5300
TZFL	... + 1 NO, with LED display	24 VDC	191 5060
2 NC parallel			
TZFC	... + 2 NO	24 VDC	191 5101
TZFC 115	... + 2 NO	115 VAC	191 5122
TZFC 230	... + 2 NO	230 VAC	191 5123
3 NC parallel			
TZFW	... + 1 NO	24 VDC	191 5080
TZFW 115	... + 1 NO	115 VAC	191 5087
TZFW 230	... + 1 NO	230 VAC	191 5380
TZFWL	... with LED display	24 VDC	191 5085
TZFCW	... + 2 NO	24 VDC	191 5103
4 NC parallel			
TZFW.2MOE	... + 1 NO	24 VDC	191 5124
TZFW 4Ö	4 NC parallel	24 VDC	191 5125

Dimensions TZF ...



- 1) Dimensional base for actuator
- 2) LED display optional

Safety door interlocks

TZM/TZF type series

Spring-operated versions

with manual release

Features

- Interlocking device to EN 1088 with failsafe device
- Funnel-shaped entry for actuator, suitable for large door tolerances
- Manual release with 3-square socket key
- Holding force 1,500 N
- Operating head adjustable 3 x 90°
- Closed circuit-current principle (unlocked under voltage)

Cross-references

- General description: refer to page 3
- Contact configuration: see below
- Actuator: refer to page 54
- Accessories: refer to page 58
- Assembly instructions: refer to page 68
- Technical data: refer to page 69

Options (on request)

- Plug connection
- Version with Viton seals for use with particularly aggressive media
- Individually coded actuator
- Other voltages



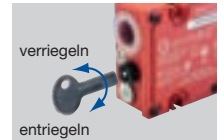
N.B.

Actuator: standard actuator TZ/CO supplied. Refer to page 54 for dimensions and other actuators.



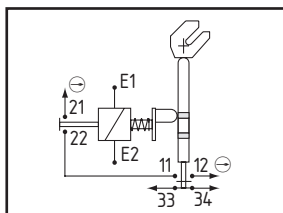
LED display: In the case of devices with LED display the NC contacts are not floating. Only sequencing circuitry may be used in which the two channels are controlled with positive opening.

Manual release: for the manual release with 3-square socket key for maintenance, setting up, power failure etc.

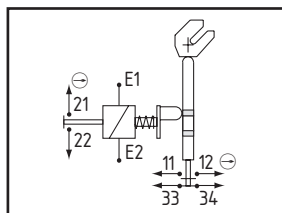


Contact configurations

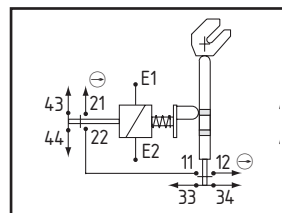
TZFS..



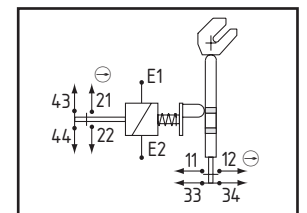
TZFSWS...



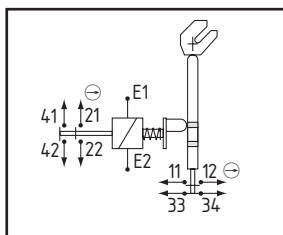
TZFCFS...



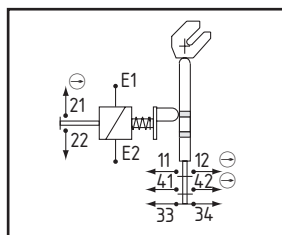
TZFCWS



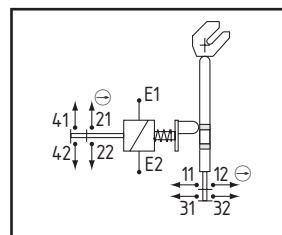
TZFSWS.2MOE



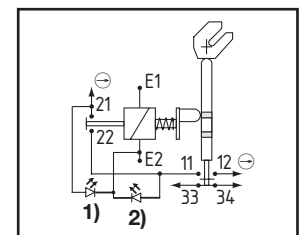
TZFSWS 3Ö



TZFSWS 4Ö



TZFSL..



Representations of the contacts with unlocked solenoid and open guard.
LED display: 1) green "locked", 2) yellow "door closed"

Test symbol (with respect to the basic design)



BIA 954023



A031156

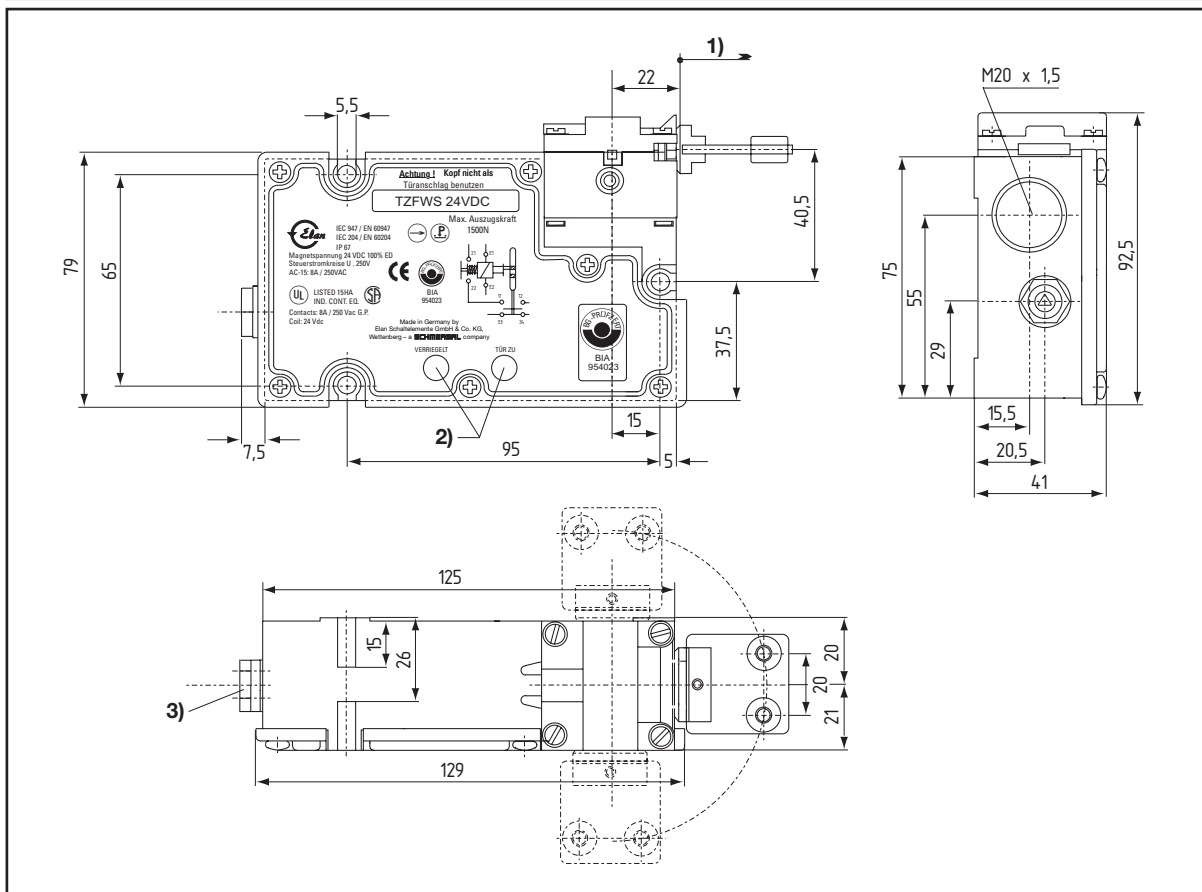
Scope of delivery

Door interlock, standard actuator, fixing material, disposable screws, standard 3-square socket key (refer to page 58 for further information)

Product table

Type	Version	Supply voltage	Part number
2 NC in series ...			
TZFS	... + 1 NO	24 VDC	191 5040
TZFS115	... + 1 NO	115 VAC	191 5140
TZFS230	... + 1 NO	230 VAC	191 5340
TZFSL	... + 1 NO, with LED display	24 VDC	191 5045
2 NC parallel ...			
TZFCS	... + 2 NO	24 VDC	191 5102
TZFCS115	... + 2 NO	115 VAC	191 5115
TZFCS230	... + 2 NO	230 VAC	191 5116
3 NC parallel			
TZFWS	... + 1 NO	24 VDC	191 5095
TZFWS115	... + 1 NO	115 VAC	191 5096
TZFWS230	... + 1 NO	230 VAC	191 5097
TZFCWS	... + 2 NO	24 VDC	191 5112
4 NC parallel			
TZFWS.2MOE	... + 1 NO	24 VDC	191 8954
TZFWS 3Ö	... + 1 NO	24 VDC	191 8950
TZFWS 4Ö	... + 1 NO	24 VDC	191 8951

Dimensions TZF ...S



- 1) Dimensional base for actuator
- 2) LED display optional
- 3) Manual release

Safety door interlocks

TZM/TZF type series

Spring-operated versions

with emergency release, concealed installation

Features

- Interlocking device to EN 1088 with failsafe device
- Funnel-shaped entry for actuator, suitable for large door tolerances
- Emergency release with pull-bar
- Holding force 1,500 N
- Operating head adjustable 3 x 90°
- Closed circuit-current principle (unlocked under voltage)

Cross-references

- General description: refer to page 3
- Contact configuration: see below
- Actuator: refer to page 54
- Accessories: refer to page 58
- Assembly instructions: refer to page 68
- Technical data: refer to page 69

Options (on request)

- Plug connection
- Version with Viton seals for use with particularly aggressive media
- Individually coded actuator
- Other voltages



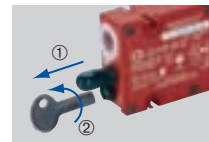
N.B.

Actuator: standard actuator TZ/CO supplied. Refer to page 54 for dimensions and other actuators.



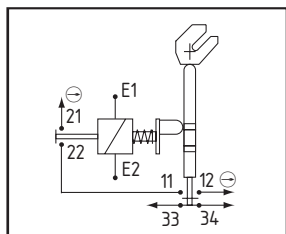
LED display: In the case of devices with LED display the NC contacts are not floating. Only sequencing circuitry may be used in which the two channels are controlled with positive opening.

Emergency release: for manual release by pulling on the release rod (1), reset by turning the 3-square socket key (2).

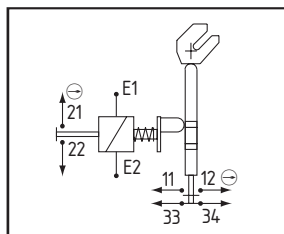


Contact configurations

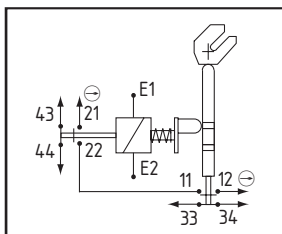
TZFN...



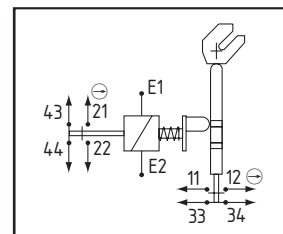
TZFWN...



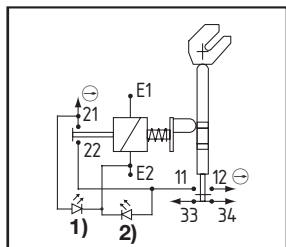
TZFCN...



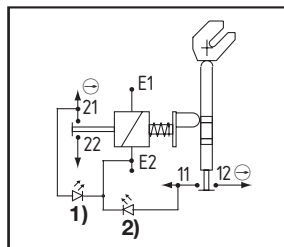
TZFCWN...



TZFNL...



TZFWNL...



Representations of the contacts with unlocked solenoid and open guard.

LED display: 1) green "locked", 2) yellow "door closed"

Test symbol (with respect to the basic design)



BIA 954023



A031156

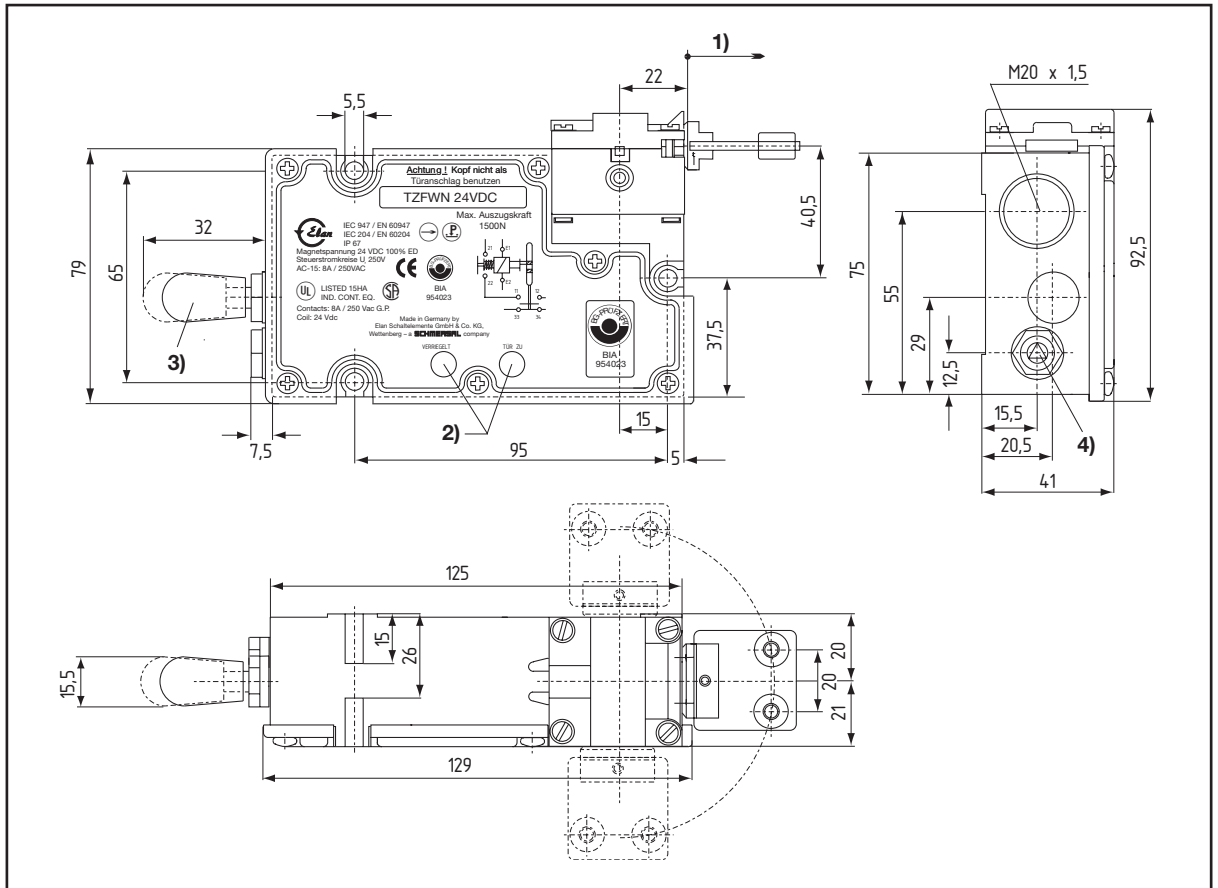
Scope of delivery

Door interlock, standard actuator, fixing material, disposable screws, standard 3-square socket key (refer to page 58 for further information)

Product table

Type	Version	Supply voltage	Part number
2 NC in series ...			
TZFN	... + 1 NO	24 VDC	191 5020
TZFN115	... + 1 NO	115 VAC	191 5140
TZFN230	... + 1 NO	230 VAC	191 5340
2 NC parallel ...			
TZFCN	... + 2 NO	24 VDC	191 5136
TZFCN115	... + 2 NO	115 VAC	191 5137
TZFCN230	... + 2 NO	230 VAC	191 5138
2 NC parallel ...			
TZFWN	... + 1 NO	24 VDC	191 5095
TZFWN115	... + 1 NO	115 VAC	191 5096
TZFWN230	... + 1 NO	230 VAC	191 5097
TZFCWN	... + 2 NO	24 VDC	191 5172
TZFNL	... + 1 NO, with LED display	24 VDC	191 5045
TZFWNL	... with LED display	24 VDC	191 5139

Dimensions TZF..N



- 1) Dimensional base for actuator
- 2) LED display optional
- 3) Manual release
- 4) Reset

Safety door interlocks

TZM/TZF type series

Spring-operated versions

with BG-tested emergency release

Features

- Interlocking device to EN 1088 with failsafe device
- Funnel-shaped entry for actuator, suitable for large door tolerances
- BG-tested emergency release with pull-rod
- Holding force 1,500 N
- Operating head adjustable 3 x 90°
- Closed circuit-current principle (unlocked under voltage)

Cross-references

- General description: refer to page 3
- Contact configuration: see below
- Actuator: refer to page 54
- Accessories: refer to page 58
- Assembly instructions: refer to page 68
- Technical data: refer to page 69

Options (on request)

- Plug connection
- Version with Viton seals for use with particularly aggressive media
- Individually coded actuator
- Other voltages

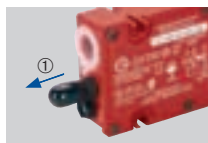


N.B.

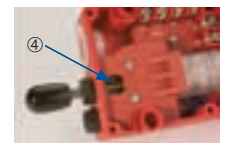
Actuator: standard actuator TZ/CO supplied. Refer to page 54 for dimensions and other actuators.



Emergency release: for the manual release by pulling the release rod (1).

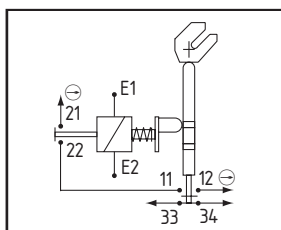


To reset remove device lid (2), unscrew grey plug (3) and push in lug (4) with a screwdriver. Then replace plug and housing lid and screw tight.



Contact configuration

TZF.NN



Representations of the contacts with unlocked solenoid and open guard.

Test symbol (with respect to the basic design)



BIA 954023

A031156

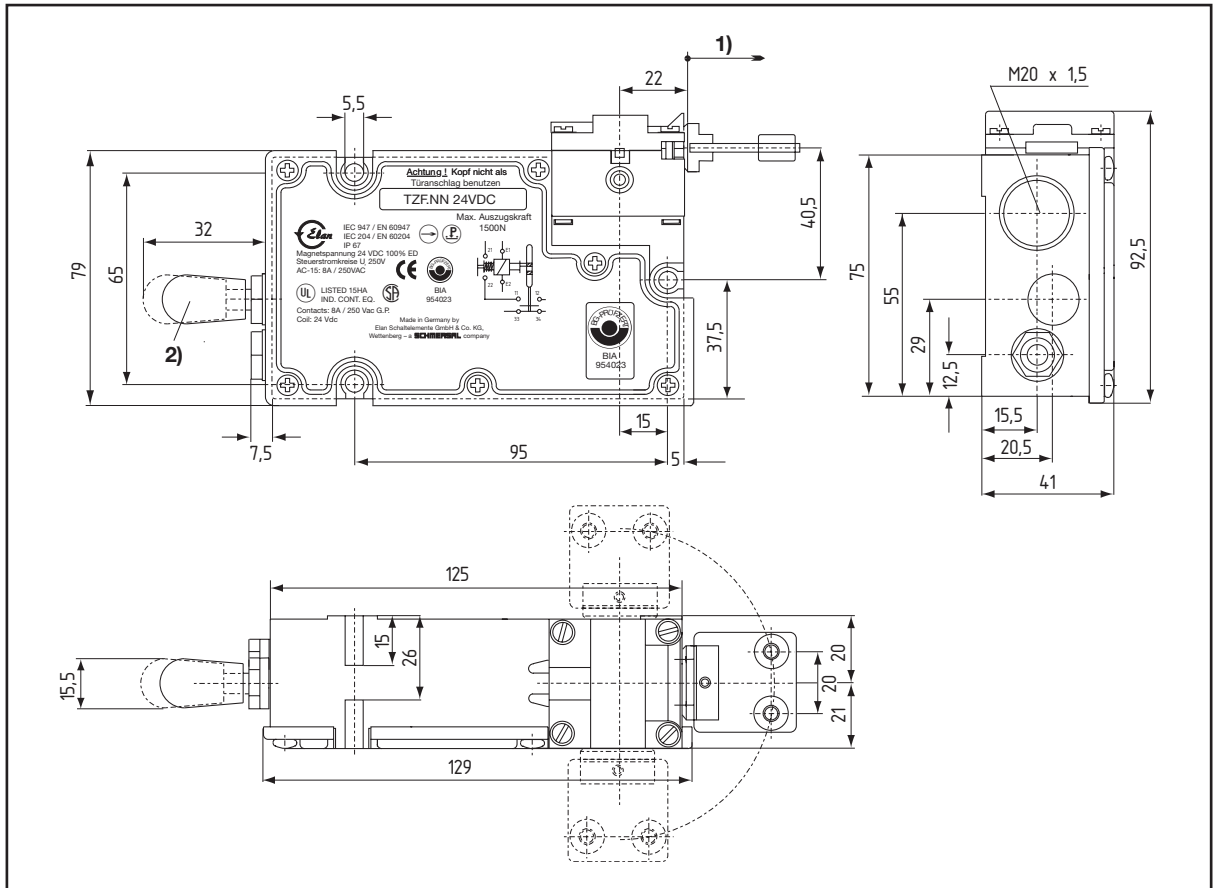
Scope of delivery

Door interlock, standard actuator, fixing material, disposable screws

Product table (Fortsetzung)

Type	Version	Supply voltage	Part number
2 NC in series ...			
TZF.NN	... + 1 NO	24 VDC	191 5030
TZF.NN115	... + 1 NO	115 VAC	191 5135
TZF.NN230	... + 1 NO	230 VAC	191 5330

Dimensions TZF.NN



- 1) Dimensional base for actuator
- 2) Emergency release

Safety door interlocks

TZM/TZF type series

Spring-operated versions

with escape release and manual release

Features

- Interlocking device to EN 1088 with failsafe device
- Funnel-shaped entry for actuator, suitable for large door tolerances
- Escape release via impact button, reset via pushbutton
- Manual release with 3-square socket key
- Holding force 1,500 N
- Operating head adjustable 3 x 90°
- Closed circuit-current principle (unlocked under voltage)

Cross-references

- General description: refer to page 3
- Contact configuration: see below
- Actuator: refer to page 54
- Accessories: refer to page 58
- Assembly instructions: refer to page 68
- Technical data: refer to page 69

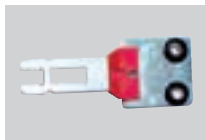
Options (on request)

- Plug connection
- Version with Viton seals for use with particularly aggressive media
- Individually coded actuator
- Other voltages

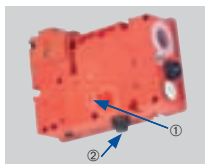


N.B.

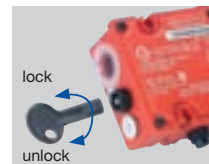
Actuator: standard actuator TZ/CO supplied. Refer to page 54 for dimensions and other actuators.



Escape release: actuation by pressing the release button (1), reset by pressing the reset button (2).

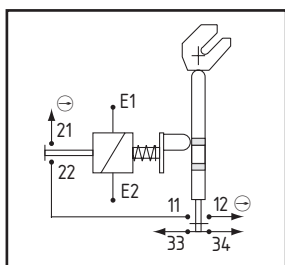


Manual release: for manual release with 3-square socket key for maintenance, setting up, power failure etc.

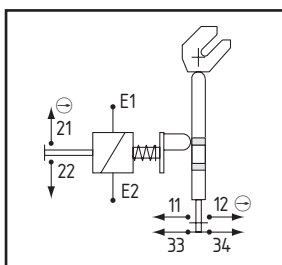


Contact configurations

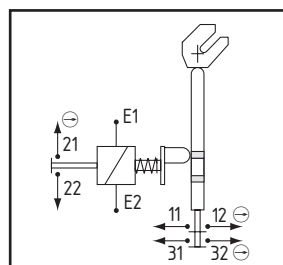
TZFS.NF



TZFWS.NF



TZFWS.NF3Ö



Representations of the contacts with unlocked solenoid and open guard.

Test symbol (with respect to the basic design)



BIA 954023

A031156

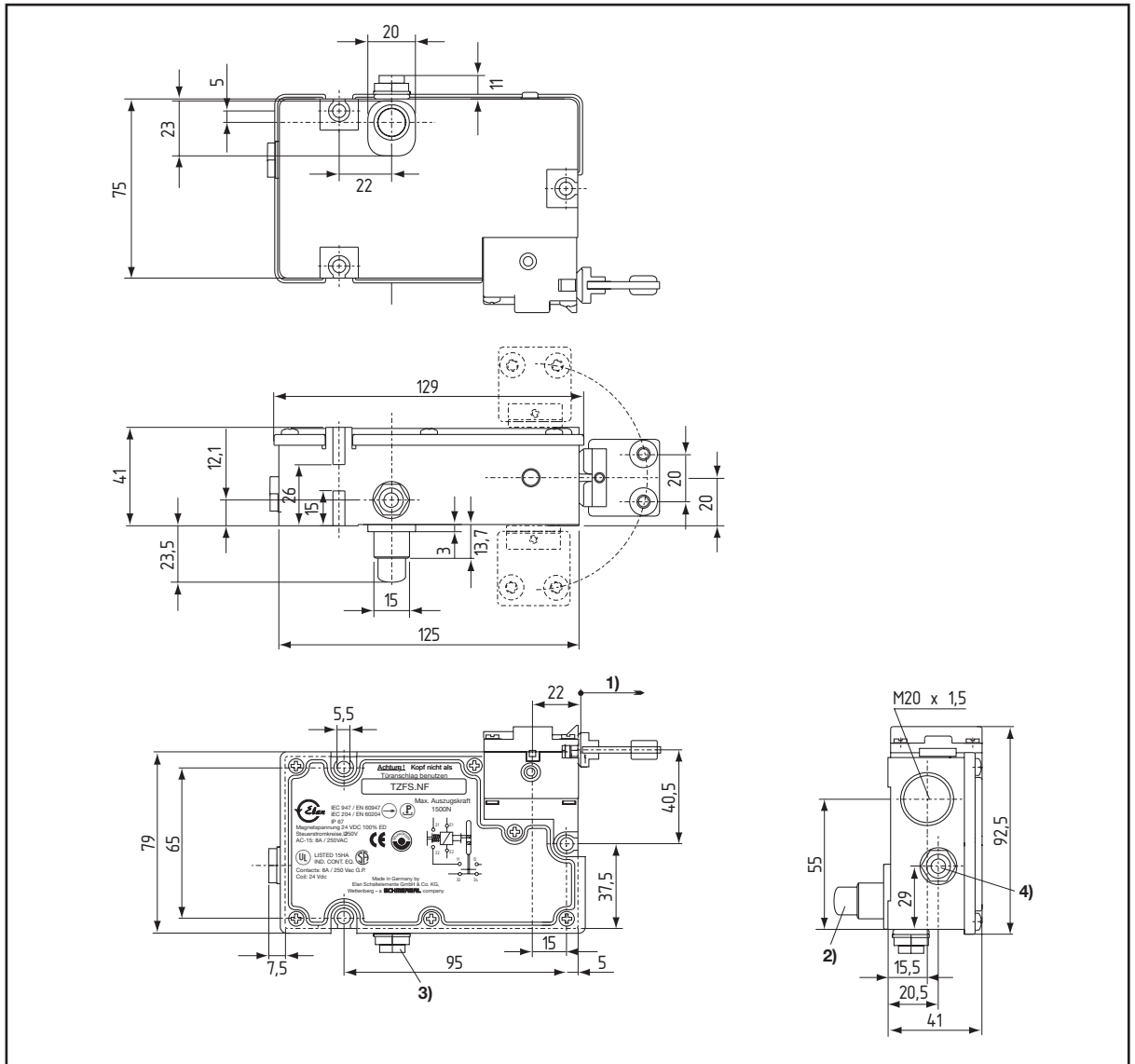
Scope of delivery

Door interlock, standard actuator, fixing material, disposable screws, standard 3-square socket key (refer to page 58 for additional information)

Product table

Type	Version	Supply voltage	Part number
2 NC in series ...			
TZFS.NF	... + 1 NO	24 VDC	191 5058
2 NC parallel ...			
TZFWS.NF	... + 1 NO	24 VDC	191 5057
TZFWS.NF3Ö	... + 1 NC	24 VDC	191 5061

Dimensions TZFS.NF



- 1) Dimensional base for actuator
- 2) Escape release
- 3) Reset button for escape release
- 4) Manual release