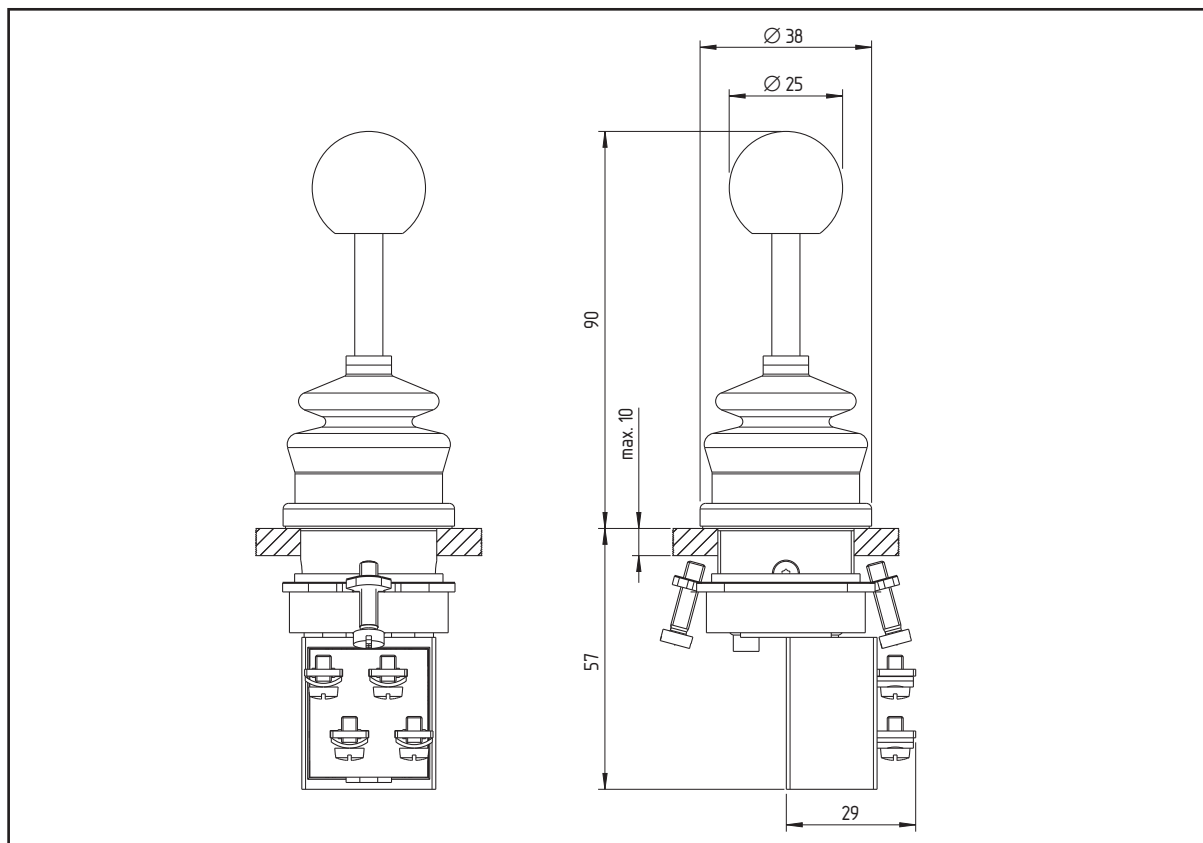


Spring-return joystick switches, Maintained joystick switches*

- For installation diameter 30.5 mm
- Design without blocking ring to protect against unintentional actuation
- 2 directions of actuation/1 switching signal for each



Not illustrated: designs with flat-pin plug connections (see page 7, installed width 29 + 1 mm)

Cross references:

- Functional description: see pages 2 and 4 and following pages
- Sealing bellows: see page 3
- Specifications: see page 64
- Terminal markings: see page 7
- Assembly information: see page 9
- Spare parts: see page 62

Additional information:

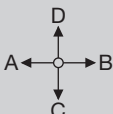
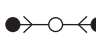
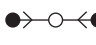
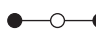
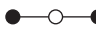
- Thick-walled silicone bellows: Protection class IP 69K

Options (on request):

- Other actuator (instead of the ball)
- Shorter actuating levers
- Metal housing (not fully-insulated)
- V2A bezel
- Secured with M30 nut/ser-rated lock washer, see page 62

* Maintained/spring-return joystick switches: see pages 44/45

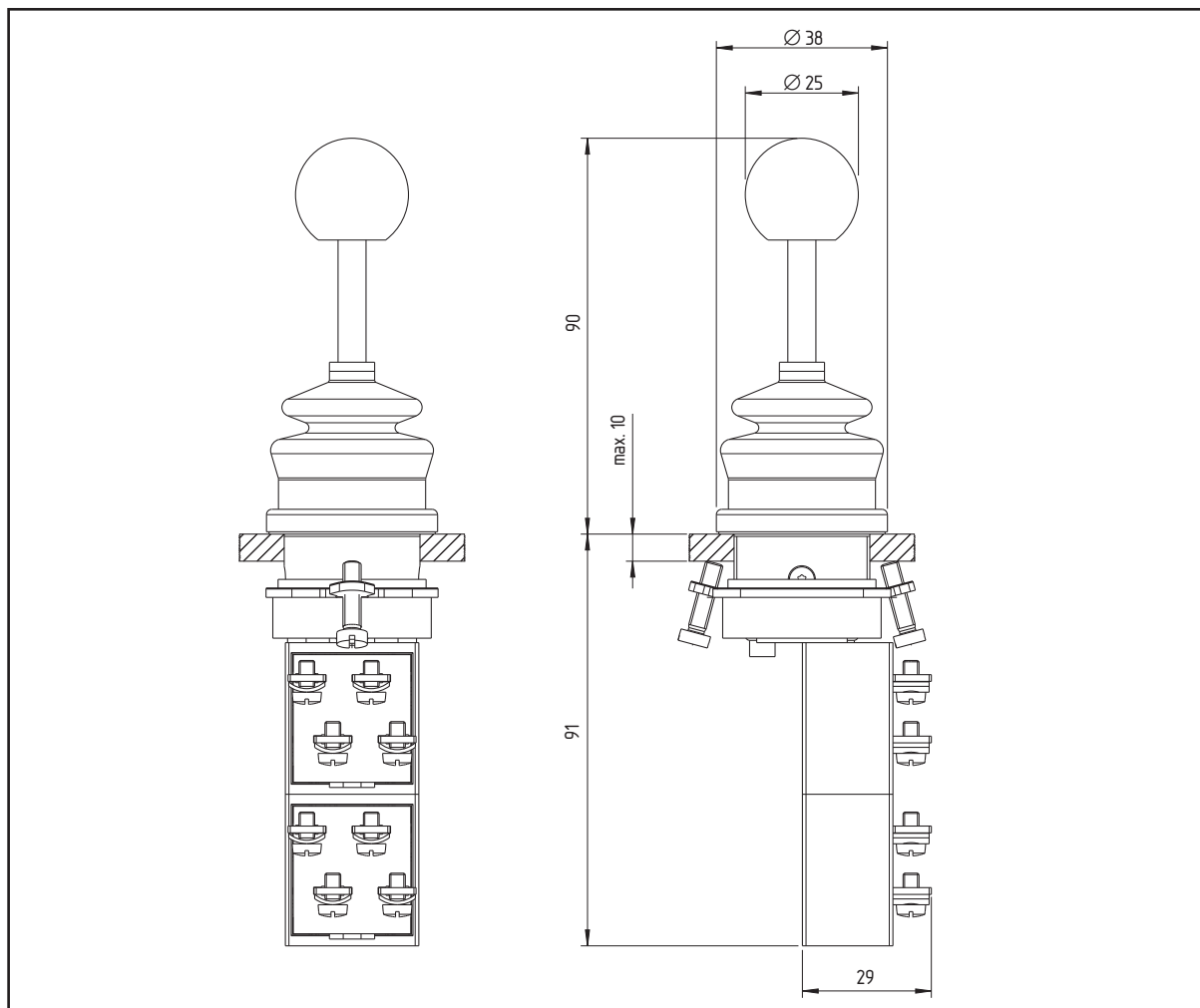
Spring-return joystick switches with analog switching signal: see pages 58/59

Switching position, quantity, contacts		Sealing bellows	Connection technology		Flat-pin plugs	
			Screw terminals			
			Form designation	Order number	Form designation	Order number
Spring-return joystick switches						
1 NO  1 NO		Standard	WKTA32	0430013	WKTAF32	0433800
		dto., UV/ozone-resistant	WKTA32/WKT-19.4	0430016	WKTAF32/WKT-19.4	0433801
		Silicone	WKTA32/WKT-19.3	0433702	WKTAF32/WKT-19.3	0433802
		dto., thick-walled	WKTA32/WKT-26	0433703	WKTAF32/WKT-26	0433803
1 NC  1 NC		Standard	WKTA32/401	0433705	WKTF32/401	0433805
		dto., UV/ozone-resistant	WKTA32/401/WKT-19.4	0433706	WKTF32/401/WKT-19.4	0433806
		Silicone	WKTA32/401/WKT-19.3	0433707	WKTF32/401/WKT-19.3	0433807
		dto., thick-walled	WKTA32/401/WKT-26	0433708	WKTF32/401/WKT-26	0433808
Maintained joystick switches						
1 NO  1 NO		Standard	WKSA32	0430650	WKSAF32	0434055
		dto., UV/ozone-resistant	WKSA32/WKT-19.4	0430652	WKSAF32/WKT-19.4	0434056
		Silicone	WKSA32/WKT-19.3	0433957	WKSAF32/WKT-19.3	0434057
1 NC  1 NC		Standard	WKSA32/401	0433960	WKSF32/401	0434060
		dto., UV/ozone-resistant	WKSA32/401/WKT-19.4	0433961	WKSF32/401/WKT-19.4	0434061
		Silicone	WKSA32/401/WKT-19.3	0433962	WKSF32/401/WKT-19.3	0434062

○ Position of reset; ◀●/▶ momentary action position; ● latching position; NO = normally open contact; NC = normally closed contact

Spring-return joystick switches, Maintained joystick switches*

- For installation diameter 30.5 mm
- Design without blocking ring to protect against unintentional actuation
- 2 directions of actuation/2 switching signals for each



Not illustrated: designs with flat-pin plug connections (see page 7, installed width $29 + 1$ mm)

Cross references:

- Functional description: see pages 2 and 4 and following pages
- Sealing bellows: see page 3
- Specifications: see page 64
- Terminal markings: see page 7
- Assembly information: see page 9
- Spare parts: see page 62

Additional information:

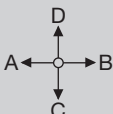
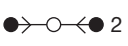
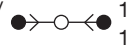
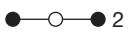
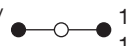
- Thick-walled silicone bellows: Protection class IP 69K

Options (on request):

- Other actuator (instead of the ball)
- Shorter actuating levers
- Metal housing (not fully-insulated)
- V2A bezel
- Secured with M30 nut/ser-rated lock washer, see page 62
- Other contact configurations

* Maintained/spring-return joystick switches: see pages 44/45

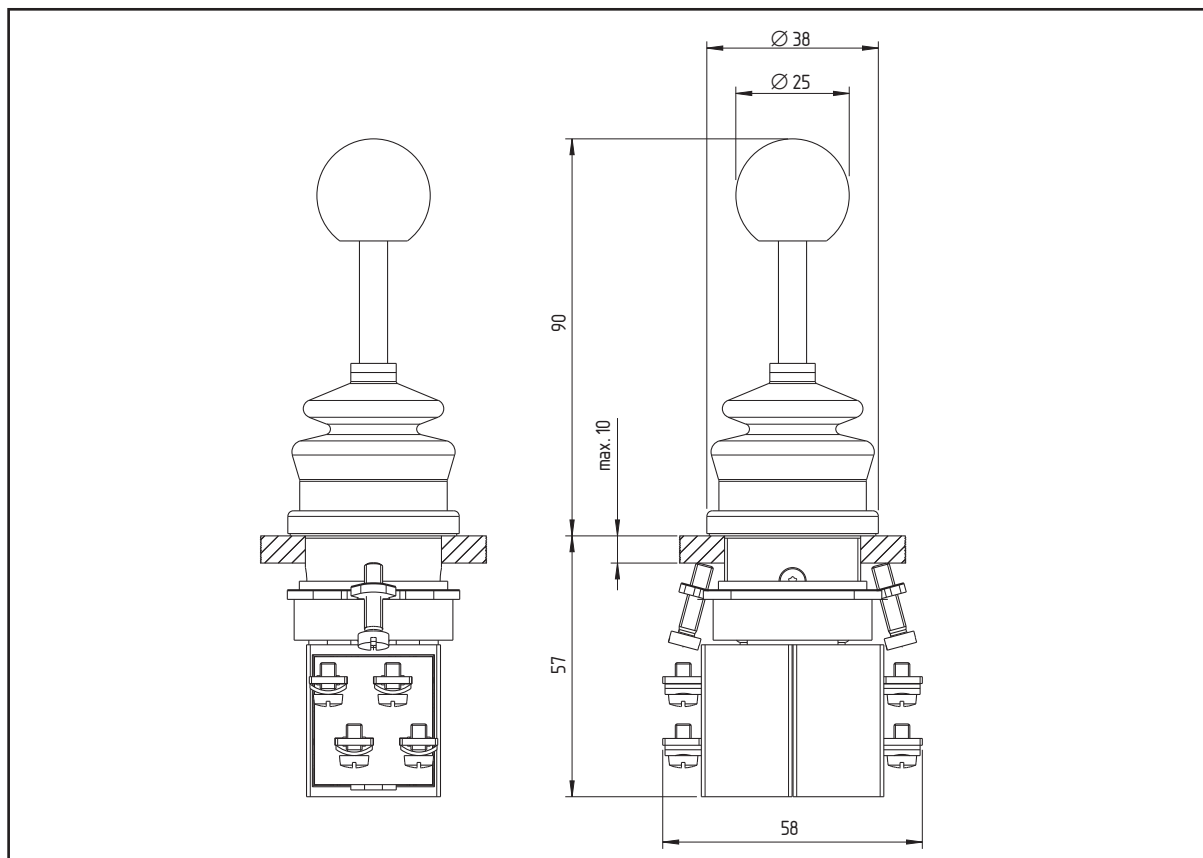
Spring-return joystick switches with analog switching signal: see pages 58/59

Switching position, quantity, contacts		Sealing bellows	Connection technology		Flat-pin plugs	
			Screw terminals			
			Form designation	Order number	Form designation	Order number
Spring-return joystick switches						
2 NO  2 NO		Standard	WKTB32	043 0056	WKTBF32	043 3820
		dto., UV/ozone-resistant	WKTB32/WKT-19.4	043 3721	WKTBF32/WKT-19.4	043 3821
		Silicone	WKTB32/WKT-19.3	043 3722	WKTBF32/WKT-19.3	043 3822
		dto., thick-walled	WKTB32/WKT-26	043 3723	WKTBF32/WKT-26	043 3823
1 NC/ 1 NO  1 NC/ 1 NO		Standard	WKTB32/1x401	043 3725	WKTBF32/1x401	043 3825
		dto., UV/ozone-resistant	WKTB32/1x401/WKT-19.4	043 3726	WKTBF32/1x401/WKT-19.4	043 3826
		Silicone	WKTB32/1x401/WKT-19.3	043 3727	WKTBF32/1x401/WKT-19.3	043 3827
		dto., thick-walled	WKTB32/1x401/WKT-26	043 3728	WKTBF32/1x401/WKT-26	043 3828
Maintained joystick switches						
2 NO  2 NO		Standard	WKSB32	043 0706	WKSBF32	043 4070
		dto., UV/ozone-resistant	WKSB32/WKT-19.4	043 3971	WKSBF32/WKT-19.4	043 4071
		Silicone	WKSB32/WKT-19.3	043 3972	WKSBF32/WKT-19.3	043 4072
1 NC/ 1 NO  1 NC/ 1 NO		Standard	WKSB32/1x401	043 3975	WKSBF32/1x401	043 4075
		dto., UV/ozone-resistant	WKSB32/1x401/WKT-19.4	043 3976	WKSBF32/1x401/WKT-19.4	043 4076
		Silicone	WKSB32/1x401/WKT-19.3	043 3977	WKSBF32/1x401/WKT-19.3	043 4077

○ Position of reset; ◀●/▶ momentary action position; ● latching position; NO = normally open contact; NC = normally closed contact

Spring-return joystick switches, Maintained joystick switches*

- For installation diameter 30.5 mm
- Design without blocking ring to protect against unintentional actuation
- 2 (3, 4) directions of actuation/2 (1) switching signal(s) for each



Not illustrated: designs with flat-pin plug connections (see page 7, installed width 29 + 1 mm)

Cross references:

- Functional description: see pages 2 and 4 and following pages
- Sealing bellows: see page 3
- Specifications: see page 64
- Terminal markings: see page 7
- Assembly information: see page 9
- Spare parts: see page 62

Additional information:

- Thick-walled silicone bellows: Protection class IP 69K

Options (on request):

- Other actuator (instead of the ball)
- Shorter actuating levers
- Metal housing (not fully-insulated)
- V2A bezel
- Secured with M30 nut/ser-rated lock washer, see page 62
- Other contact configurations

* Maintained/spring-return joystick switches: see pages 44/45

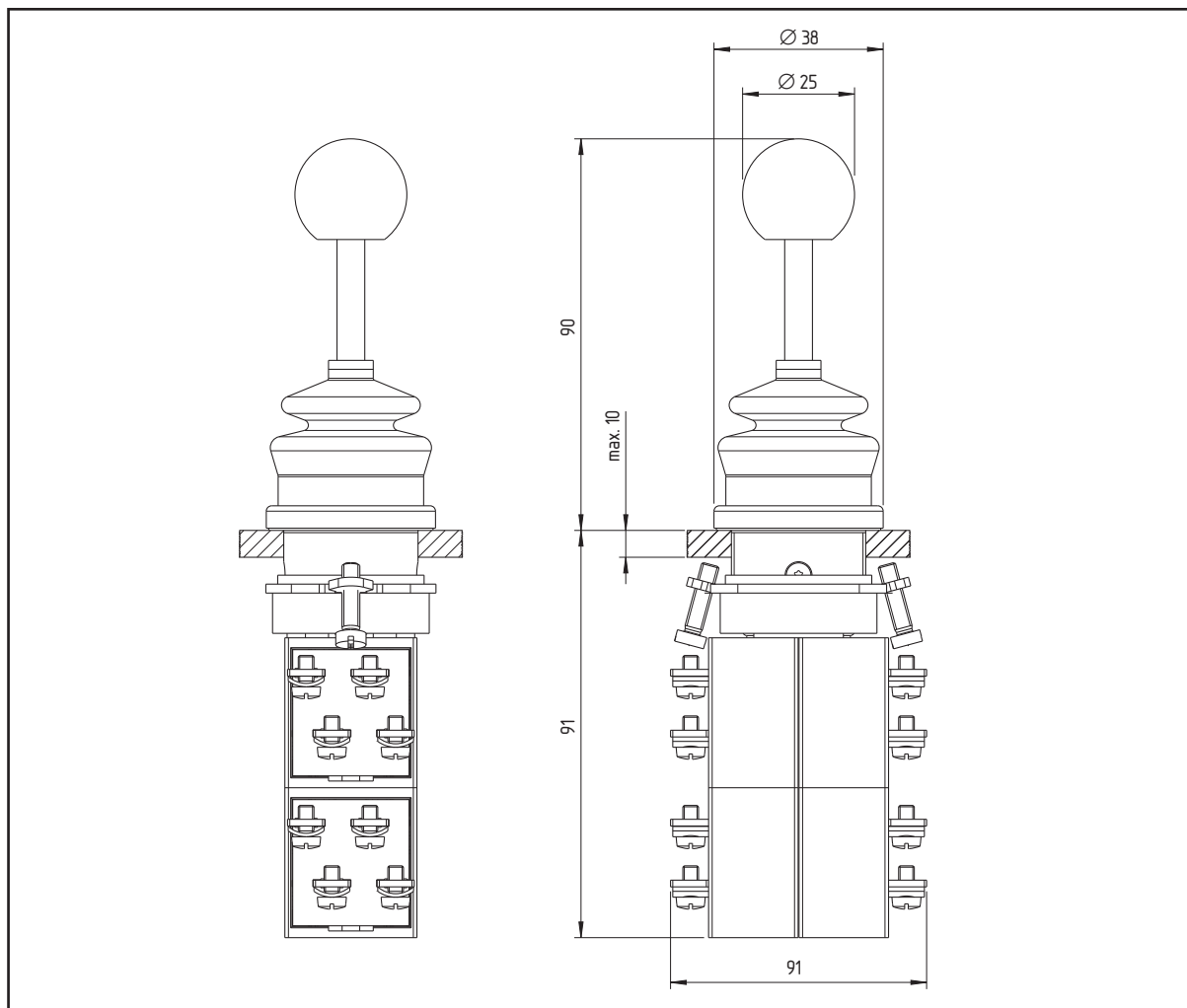
Spring-return joystick switches with analog switching signal: see pages 58/59

Switching position, quantity, contacts		Sealing bellows	Connection technology		Flat-pin plugs	
			Screw terminals			
			Form designation	Order number	Form designation	Order number
Spring-return joystick switches						
2 NO		Standard	WKTC32	0430072	WKTCF32	0433840
		dto., UV/ozone-resistant	WKTC32/WKT-19.4	0433741	WKTCF32/WKT-19.4	0433841
		Silicone	WKTC32/WKT-19.3	0433742	WKTCF32/WKT-19.3	0433842
		dto., thick-walled	WKTC32/WKT-26	0433743	WKTCF32/WKT-26	0433843
1 NO		Standard	WKTC42	0430102	WKTCF42	0433850
		dto., UV/ozone-resistant	WKTC42/WKT-19.4	0433751	WKTCF42/WKT-19.4	0433851
		Silicone	WKTC42/WKT-19.3	0433752	WKTCF42/WKT-19.3	0433852
		dto., thick-walled	WKTC42/WKT-26	0433753	WKTCF42/WKT-26	0433853
1 NO		Standard	WKTC52	0430153	WKTCF52	0430170
		dto., UV/ozone-resistant	WKTC52/WKT-19.4	0430154	WKTCF52/WKT-19.4	0433855
		Silicone	WKTC52/WKT-19.3	0433756	WKTCF52/WKT-19.3	0433856
		dto., thick-walled	WKTC52/WKT-26	0433757	WKTCF52/WKT-26	0433857
1 NC		Standard	WKTC52/2x401	0433760	WKTCF52/2x401	0433860
		dto., UV/ozone-resistant	WKTC52/2x401/WKT-19.4	0433761	WKTCF52/2x401/WKT-19.4	0433861
		Silicone	WKTC52/2x401/WKT-19.3	0433762	WKTCF52/2x401/WKT-19.3	0433862
		dto., thick-walled	WKTC52/2x401/WKT-26	0433763	WKTCF52/2x401/WKT-26	0433863
Maintained joystick switches						
2 NO		Standard	WKSC32	0430724	WKSCF32	0434090
		dto., UV/ozone-resistant	WKSC32/WKT-19.4	0433991	WKSCF32/WKT-19.4	0434091
		Silicone	WKSC32/WKT-19.3	0433992	WKSCF32/WKT-19.3	0434092
1 NO		Standard	WKSC42	0430757	WKSCF42	0434095
		dto., UV/ozone-resistant	WKSC42/WKT-19.4	0433996	WKSCF42/WKT-19.4	0434096
		Silicone	WKSC42/WKT-19.3	0433997	WKSCF42/WKT-19.3	0434097
1 NO		Standard	WKSC52	0430803	WKSCF52	0434200
		dto., UV/ozone-resistant	WKSC52/WKT-19.4	0434101	WKSCF52/WKT-19.4	0434201
		Silicone	WKSC52/WKT-19.3	0434102	WKSCF52/WKT-19.3	0434202
1 NC		Standard	WKSC52/2x401	0434105	WKSCF52/2x401	0434205
		dto., UV/ozone-resistant	WKSC52/2x401/WKT-19.4	0434106	WKSCF52/2x401/WKT-19.4	0434206
		Silicone	WKSC52/2x401/WKT-19.3	0434107	WKSCF52/2x401/WKT-19.3	0434207

○ Position of reset; ◀●/▶ momentary action position; ● latching position; NO = normally open contact; NC = normally closed contact

Spring-return joystick switches, Maintained joystick switches*

- For installation diameter 30.5 mm
- Design without blocking ring to protect against unintentional actuation
- 2 (4) directions of actuation/4 (2) switching signals for each



Not illustrated: designs with flat-pin plug connections (see page 7, installed width 29 + 1 mm)

Cross references:

- Functional description: see pages 2 and 4 and following pages
- Sealing bellows: see page 3
- Specifications: see page 64
- Terminal markings: see page 7
- Assembly information: see page 9
- Spare parts: see page 62

Additional information:

- Thick-walled silicone bellows: Protection class IP 69K

Options (on request):

- Other actuator (instead of the ball)
- Shorter actuating levers
- Metal housing (not fully-insulated)
- V2A bezel
- Secured with M30 nut/ser-rated lock washer, see page 62
- Devices with 3 directions of actuation
- Other contact configurations

* Maintained/spring-return joystick switches: see pages 44/45

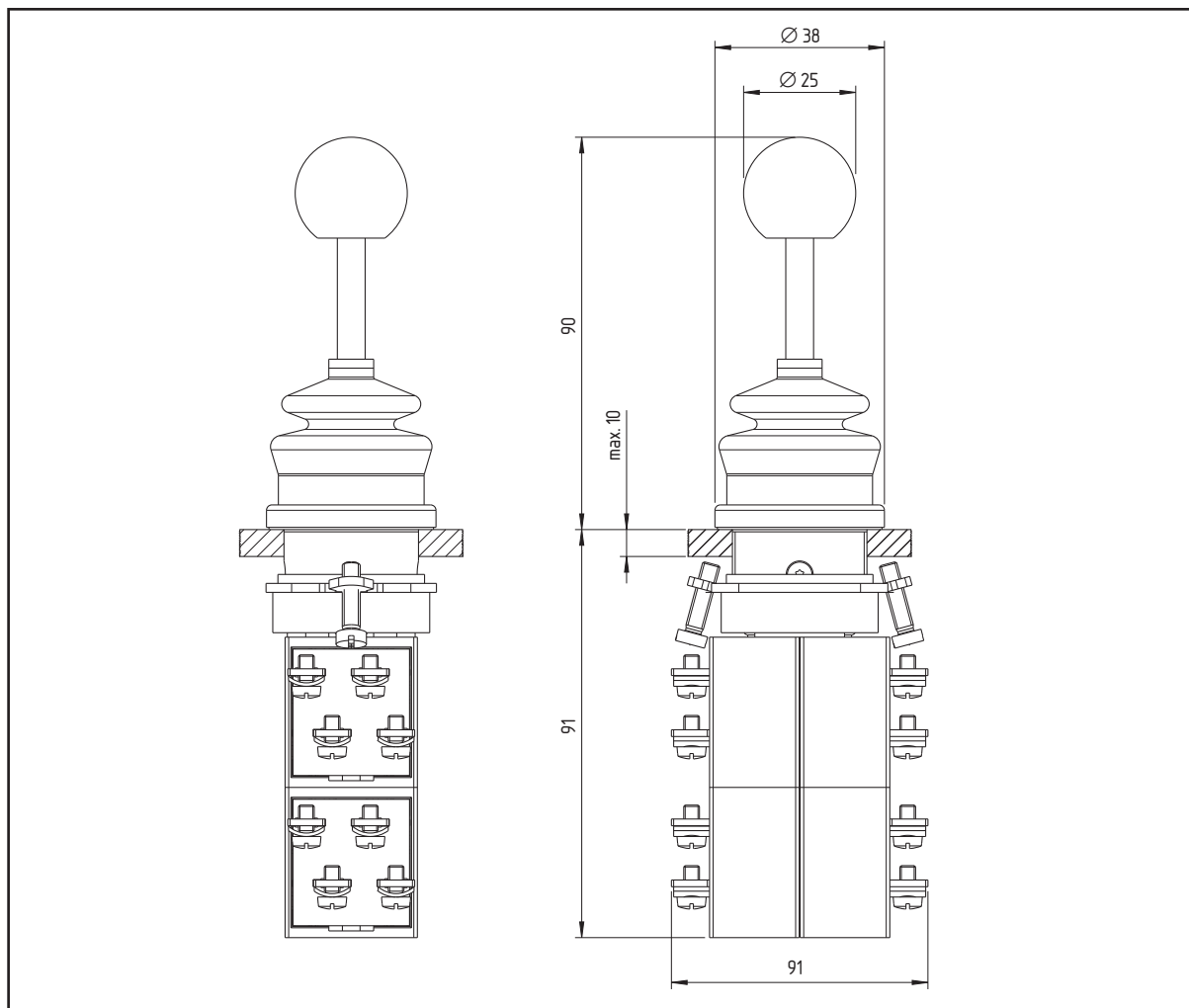
Spring-return joystick switches with analog switching signal: see pages 58/59

Switching position, quantity, contacts		Sealing bellows	Connection technology		Flat-pin plugs	
			Screw terminals			
			Form designation	Order number	Form designation	Order number
Spring-return joystick switches						
4 NO		Standard	WKTE32	0433785	WKTEF32	0433885
		dto., UV/ozone-resistant	WKTE32/WKT-19.4	0433786	WKTEF32/WKT-19.4	0433886
		Silicone	WKTR32/WKT-19.3	0433787	WKTEF32/WKT-19.3	0433887
		dto., thick-walled	WKTE32/WKT-26	0433788	WKTEF32/WKT-26	0433888
2 NO		Standard	WKTE52	0430251	WKTEF52	0430253
		dto., UV/ozone-resistant	WKTE52/WKT-19.4	0433790	WKTEF52/WKT-19.4	0433890
		Silicone	WKTE52/WKT-19.3	0433791	WKTEF52/WKT-19.3	0433891
		dto., thick-walled	WKTE52/WKT-26	0433792	WKTEF52/WKT-26	0433892
1 NC/1 NO		Standard	WKTE52/206	0433795	WKTEF52/206	0433895
		dto., UV/ozone-resistant	WKTE52/206/WKT-19.4	0433796	WKTEF52/206/WKT-19.4	0433896
		Silicone	WKTE52/206/WKT-19.3	0433797	WKTEF52/206/WKT-19.3	0433897
		dto., thick-walled	WKTE52/206/WKT-26	0433798	WKTEF52/206/WKT-26	0433898
1 NC/1 NO		Standard	WKTE52/2x401	0430254	WKTEF52/2x401	0434000
		dto., UV/ozone-resistant	WKTE52/2x401/WKT-19.4	0433901	WKTEF52/2x401/WKT-19.4	0434001
		Silicone	WKTE52/2x401/WKT-19.3	0433902	WKTEF52/2x401/WKT-19.3	0434002
		dto., thick-walled	WKTE52/2x401/WKT-26	0433903	WKTEF52/2x401/WKT-26	0434003
Maintained joystick switches						
4 NO		Standard	WKSE32	0434130	WKSEF32	0434230
		dto., UV/ozone-resistant	WKSE32/WKT-19.4	0434131	WKSEF32/WKT-19.4	0434231
		Silicone	WKSE32/WKT-19.3	0434132	WKSEF32/WKT-19.3	0434232
2 NO		Standard	WKSE52	0430901	WKSEF52	0434235
		dto., UV/ozone-resistant	WKSE52/WKT-19.4	0434136	WKSEF52/WKT-19.4	0434236
		Silicone	WKSE52/WKT-19.3	0434137	WKSEF52/WKT-19.3	0434237
1 NC/1 NO		Standard	WKSE52/206	0434140	WKSEF52/206	0434240
		dto., UV/ozone-resistant	WKSE52/206/WKT-19.4	0434141	WKSEF52/206/WKT-19.4	0434241
		Silicone	WKSE52/206/WKT-19.3	0434142	WKSEF52/206/WKT-19.3	0434242
1 NC/1 NO		Standard	WKSE52/2x401	0434145	WKSEF52/2x401	0434245
		dto., UV/ozone-resistant	WKSE52/2x401/WKT-19.4	0434146	WKSEF52/2x401/WKT-19.4	0434246
		Silicone	WKSE52/2x401/WKT-19.3	0434147	WKSEF52/2x401/WKT-19.3	0434247

○ Position of reset; ◀●▶ momentary action position; ● latching position; NO = normally open contact; NC = normally closed contact

Spring-return joystick switches, Maintained joystick switches*

- For installation diameter 30.5 mm
- Design without blocking ring to protect against unintentional actuation
- 2 (4) directions of actuation/4 (2) switching signals for each



Cross references:

- Functional description: see pages 2 and 4 and following pages
- Sealing bellows: see page 3
- Specifications: see page 64
- Terminal markings: see page 7
- Assembly information: see page 9
- Spare parts: see page 62

Additional information:

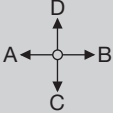
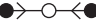
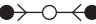
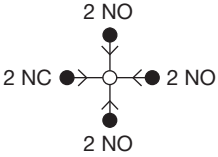
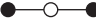
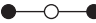
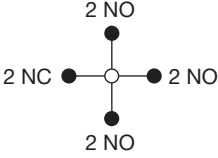
- Thick-walled silicone bellows: Protection class IP 69K
- Flat plug connections not possible

Options (on request):

- Other actuator (instead of the ball)
- Shorter actuating levers
- Metal housing (not fully-insulated)
- V2A bezel
- Secured with M30 nut/ser-rated lock washer, see page 62
- Devices with 3 directions of actuation
- Other contact configurations

* Maintained/spring-return joystick switches: see pages 44/45

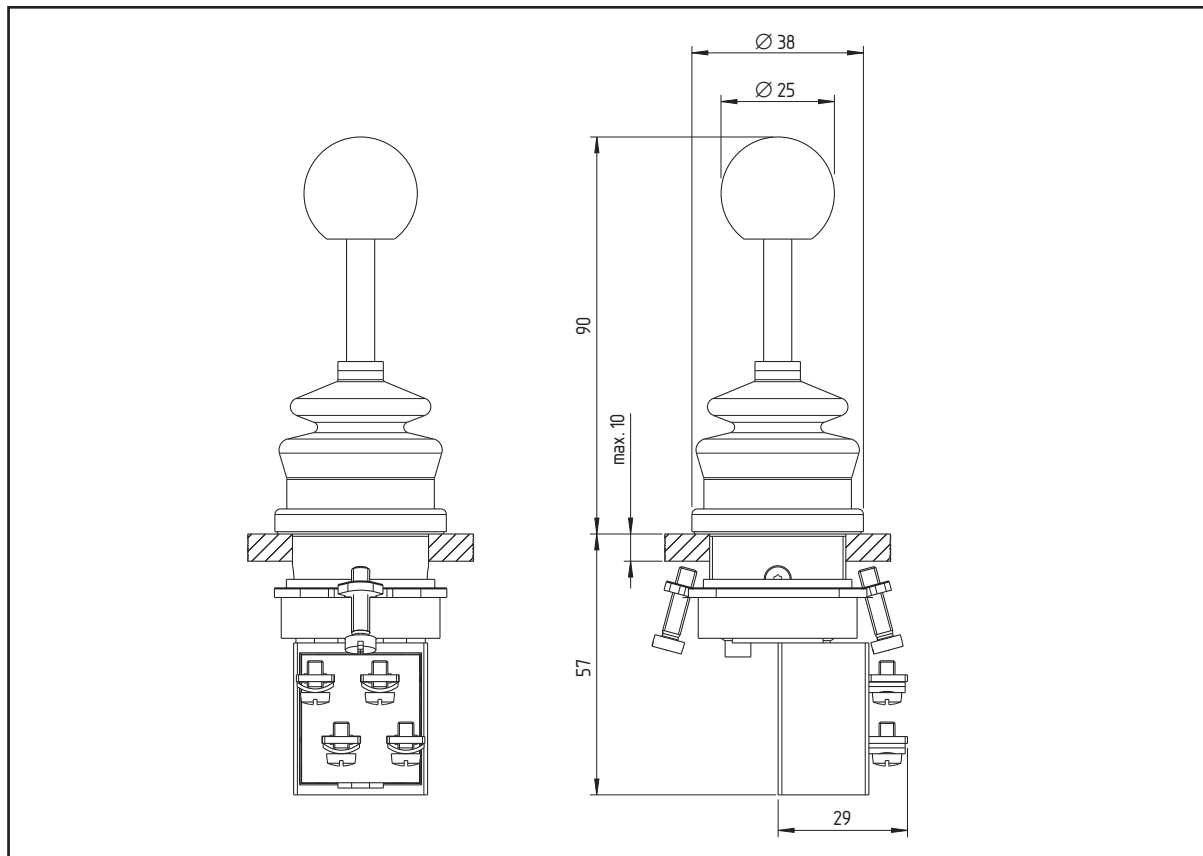
Spring-return joystick switches with analog switching signal: see pages 58/59

Switching position, quantity, contacts		Sealing bellows	Connection technology Screw terminals	
			Form designation	Order number
Spring-return joystick switches				
4 NC  4 NO		Standard	WKTE32/404	043 3925
		dto., UV/ozone-resistant	WKTE32/404/WKT-19.4	043 3926
		Silicone	WKTE32/404/WKT-19.3	043 3927
		dto., thick-walled	WKTE32/404/WKT-26	043 3928
4 NC  4 NC		Standard	WKTE32/800	043 3930
		dto., UV/ozone-resistant	WKTE32/800/WKT-19.4	043 3931
		Silicone	WKTE32/800/WKT-19.3	043 3932
		dto., thick-walled	WKTE32/800/WKT-26	043 3933
		Standard	WKTE52/206.1	043 3935
		dto., UV/ozone-resistant	WKTE52/206.1/WKT-19.4	043 3936
		Silicone	WKTE52/206.1/WKT-19.3	043 3937
		dto., thick-walled	WKTE52/206.1/WKT-26	043 3938
Maintained joystick switches				
4 NC  4 NO		Standard	WKSE32/404	043 4170
		dto., UV/ozone-resistant	WKSE32/404/WKT-19.4	043 4171
		Silicone	WKSE32/404/WKT-19.3	043 4172
4 NC  4 NC		Standard	WKSE32/800	043 4175
		dto., UV/ozone-resistant	WKSE32/800/WKT-19.4	043 4176
		Silicone	WKSE32/800/WKT-19.3	043 4177
		Standard	WKSE52/206.1	043 4180
		dto., UV/ozone-resistant	WKSE52/206.1/WKT-19.4	043 4181
		Silicone	WKSE52/206.1/WKT-19.3	043 4182

○ Position of reset; <●/●> momentary action position; ● latching position; NO = normally open contact; NC = normally closed contact

Maintained/spring-return joystick switches

- For installation diameter 30.5 mm
- Design without blocking ring to protect against unintentional actuation
- 2 directions of actuation/1 switching signal for each



Not illustrated: designs with flat-pin plug connections (see page 7, installed width 29 + 1 mm)

Cross references:

- Functional description: see pages 2 and 4 and following pages
- Sealing bellows: see page 3
- Specifications: see page 64
- Terminal markings: see page 7
- Assembly information: see page 9
- Spare parts: see page 62

Options (on request):

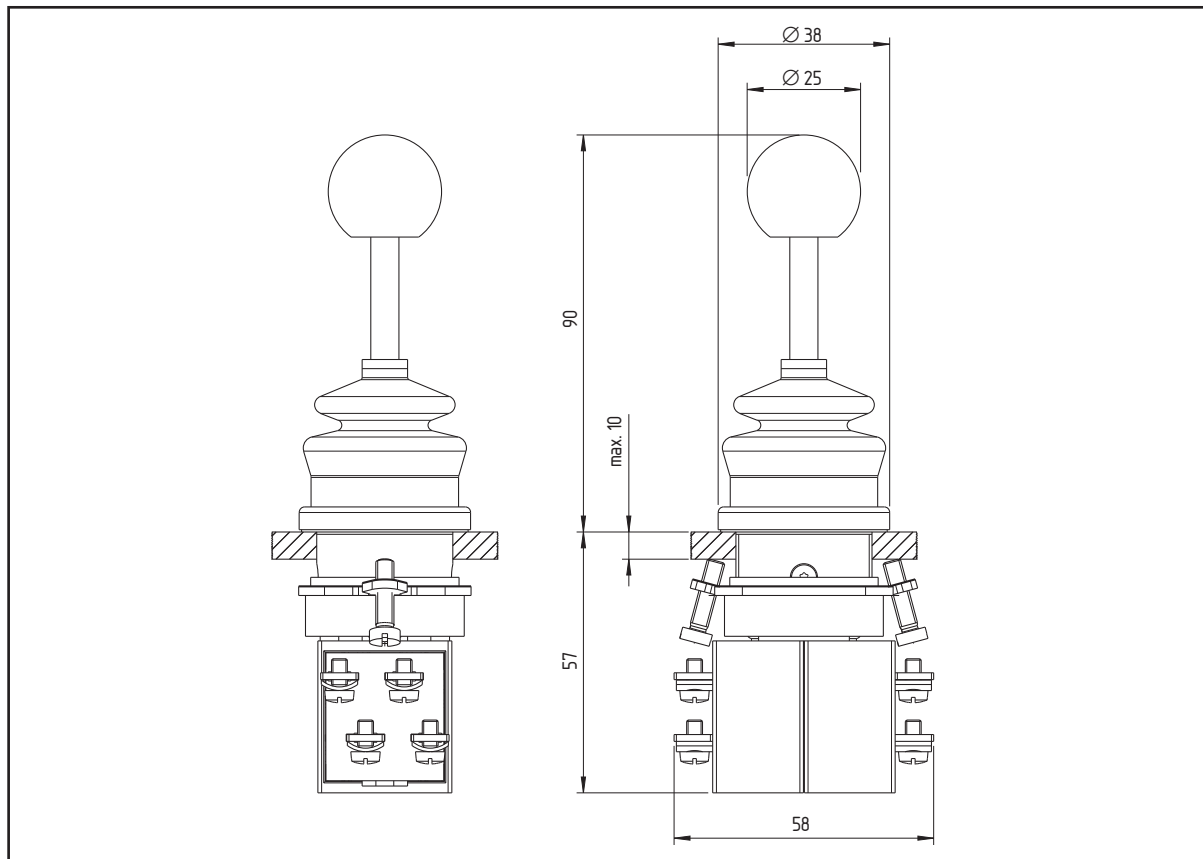
- Other actuator (instead of the ball)
- Shorter actuating levers
- Metal housing (not fully-insulated)
- V2A bezel
- Secured with M30 nut/ser-rated lock washer, see page 62
- Other contact configurations

Switching position, quantity, contacts		Sealing bellows	Connection technology		Flat-pin plugs	
			Form designation	Order number	Form designation	Order number
Maintained/spring-return joystick switches						
1 NO ●→○● 1 NO		Standard	WK TSA32	043 1303	WK TSAF32	043 4400
		dto., UV/ozone-resistant	WK TSA32/WKT-19.4	043 4301	WK TSAF32/WKT-19.4	043 4401
		Silicone	WK TSA32/WKT-19.3	043 4302	WK TSAF32/WKT-19.3	043 4402

○ Position of reset; ◀●/●▶ momentary action position; ● latching position; NO = normally open contact; NC = normally closed contact

Maintained/spring-return joystick switches

- For installation diameter 30.5 mm
- Design without blocking ring to protect against unintentional actuation
- 4 directions of actuation/1 switching signal for each



Not illustrated: designs with flat-pin plug connections (see page 7, installed width 29 + 1 mm)

Cross references:

- Functional description: see pages 2 and 4 and following pages
- Sealing bellows: see page 3
- Specifications: see page 64
- Terminal markings: see page 7
- Assembly information: see page 9
- Spare parts: see page 62

Options (on request):

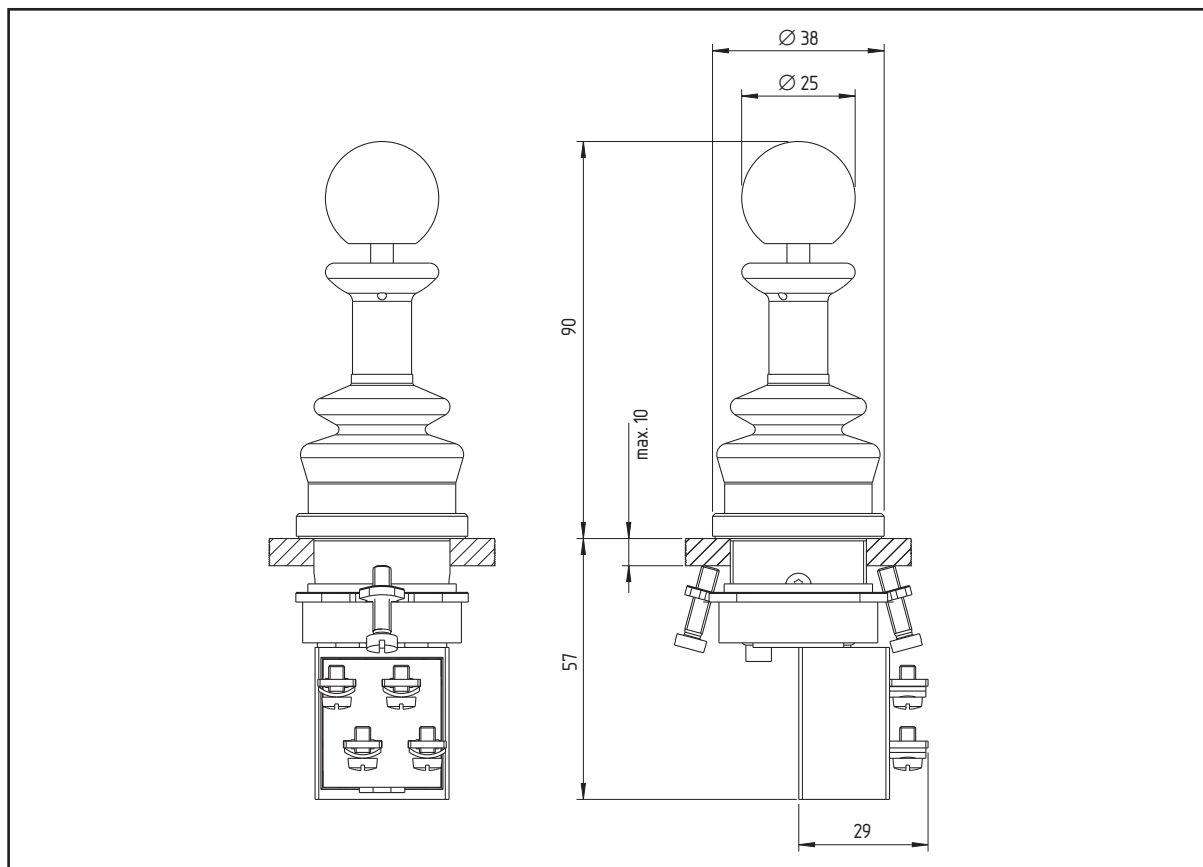
- Other actuator (instead of the ball)
- Shorter actuating levers
- Metal housing (not fully-insulated)
- V2A bezel
- Secured with M30 nut/ser-rated lock washer, see page 62
- Devices with 3 directions of actuation
- Other contact configurations

Switching position, quantity, contacts		Sealing bellows	Connection technology		Flat-pin plugs	
			Form designation	Order number	Form designation	Order number
Maintained/spring-return joystick switches						
		Standard	WKTSC52.2	0432008	WKTSCF52.2	0434405
		dto., UV/ozone-resistant	WKTSC52.2/WKT-19.4	0434306	WKTSCF52.2/WKT-19.4	0434406
		Silicone	WKTSC52.2/WKT-19.3	0434307	WKTSCF52.2/WKT-19.3	0434407

○ Position of reset; ◀●▶ momentary action position; ● latching position; NO = normally open contact; NC = normally closed contact

Spring-return joystick switches, Maintained joystick switches*

- For installation diameter 30.5 mm
- Design with blocking ring to protect against unintentional actuation
- 2 directions of actuation/1 switching signal for each



Not illustrated: designs with flat-pin plug connections (see page 7, installed width 29 + 1 mm)

Cross references:

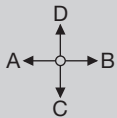
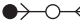
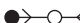
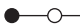

- Functional description: see pages 2 and 4 and following pages
- Sealing bellows: see page 3
- Specifications: see page 64
- Terminal markings: see page 7
- Assembly information: see page 9
- Spare parts: see page 62

Options (on request):

- Other actuator (instead of the ball)
- Metal housing (not fully-insulated)
- V2A bezel
- Secured with M30 nut/ser-rated lock washer, see page 62

* Maintained/spring-return joystick switches: see pages 56/57

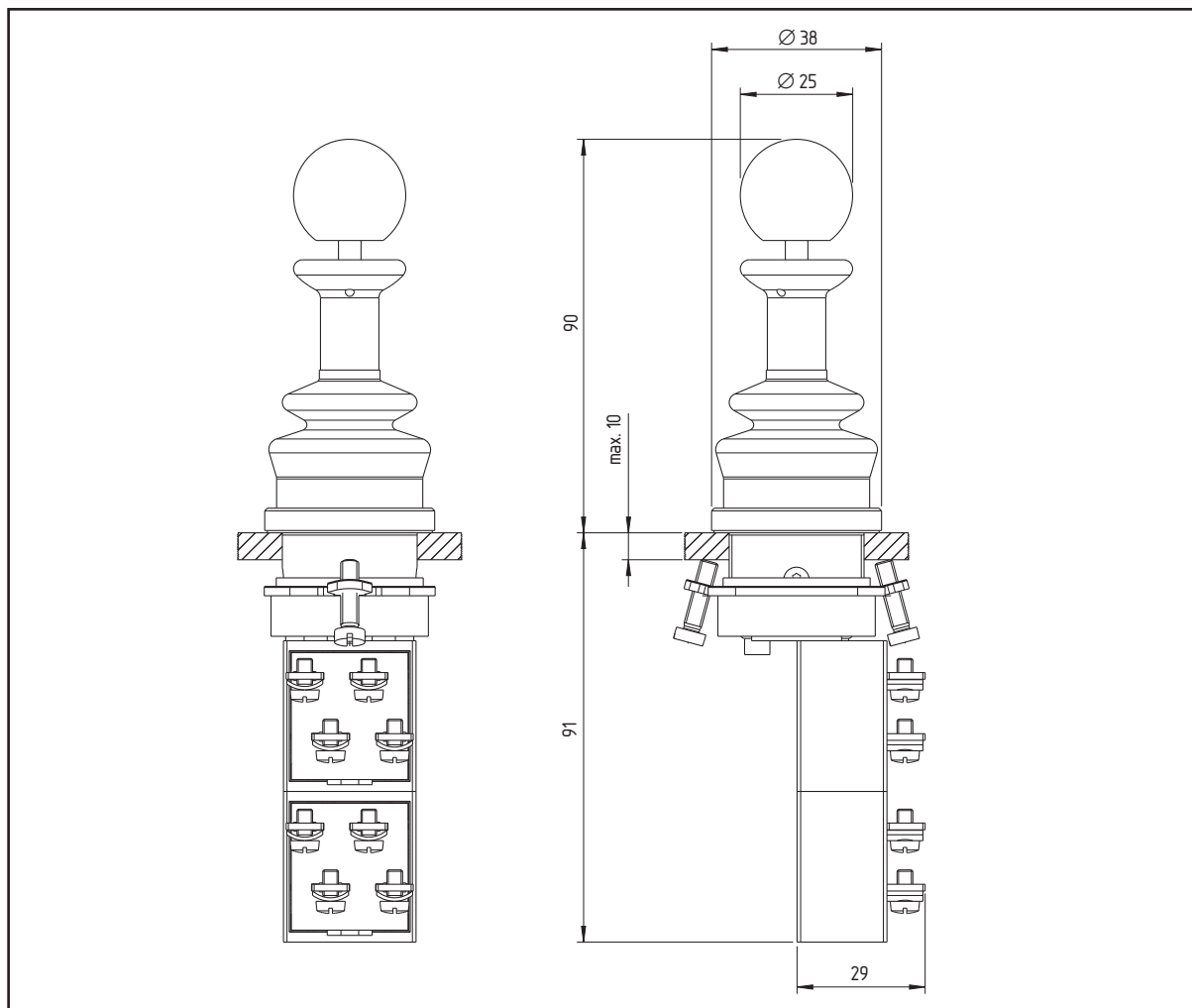
Spring-return joystick switches with analog switching signal: see pages 60/61

Switching position, quantity, contacts		Sealing bellows	Connection technology		Flat-pin plugs	
			Screw terminals			
			Form designation	Order number	Form designation	Order number
Spring-return joystick switches						
1 NO  1 NO		Standard	WKTA321	043 0014	WKTAF321	043 3810
		dto., UV/ozone-resistant	WKTA321/WKT-19.4	043 1025	WKTAF321/WKT-19.4	043 3811
		Silicone	WKTA321/WKT-19.3	043 3712	WKTAF321/WKT-19.3	043 3812
1 NC  1 NC		Standard	WKTA321/401	043 3715	WKTAF321/401	043 3815
		dto., UV/ozone-resistant	WKTA321/401/WKT-19.4	043 3716	WKTAF321/401/WKT-19.4	043 3816
		Silicone	WKTA321/401/WKT-19.3	043 3717	WKTAF321/401/WKT-19.3	043 3817
Maintained joystick switches						
1 NO  1 NO		Standard	WKSA321	043 1001	WKSASF321	043 1005
		dto., UV/ozone-resistant	WKSA321/WKT-19.4	043 1030	WKSASF321/WKT-19.4	043 4065
		Silicone	WKSA321/WKT-19.3	043 3966	WKSASF321/WKT-19.3	043 4066
1 NC  1 NC		Standard	WKSA321/401	043 3967	WKSASF321/401	043 4067
		dto., UV/ozone-resistant	WKSA321/401/WKT-19.4	043 3968	WKSASF321/401/WKT-19.4	043 4068
		Silicone	WKSA321/401/WKT-19.3	043 3969	WKSASF321/401/WKT-19.3	043 4069

○ Position of reset; ◀●/▶ momentary action position; ● latching position; NO = normally open contact; NC = normally closed contact

Spring-return joystick switches, Maintained joystick switches*

- For installation diameter 30.5 mm
- Design with blocking ring to protect against unintentional actuation
- 2 directions of actuation/2 switching signals for each



Not illustrated: designs with flat-pin plug connections (see page 7, installed width 29 + 1 mm)

Cross references:

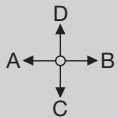
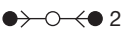
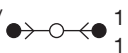
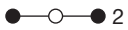
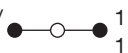
- Functional description: see pages 2 and 4 and following pages
- Sealing bellows: see page 3
- Specifications: see page 64
- Terminal markings: see page 7
- Assembly information: see page 9
- Spare parts: see page 62

Options (on request):

- Other actuator (instead of the ball)
- Shorter actuating levers
- Metal housing (not fully-insulated)
- V2A bezel
- Secured with M30 nut/ser-rated lock washer, see page 62
- Other contact configurations

* Maintained/spring-return joystick switches: see pages 56/57

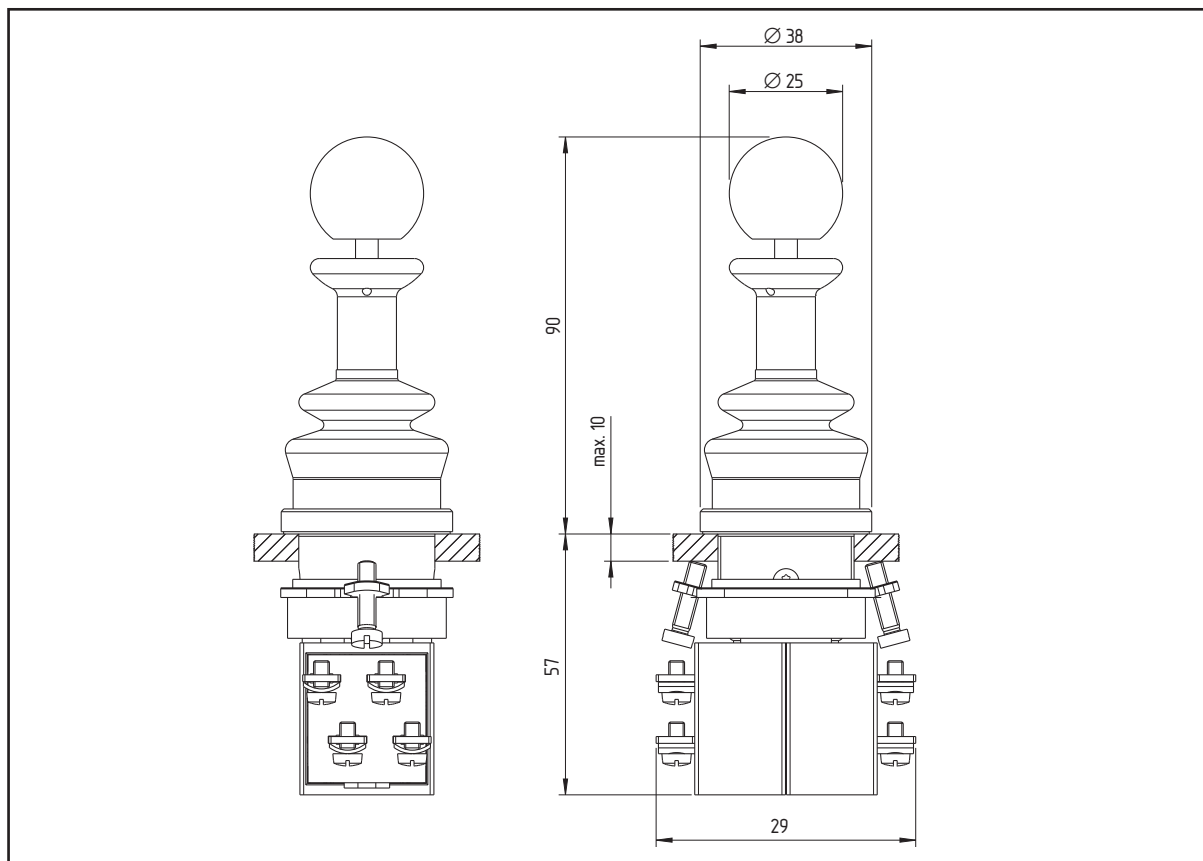
Spring-return joystick switches with analog switching signal: see pages 60/61

Switching position, quantity, contacts		Sealing bellows	Connection technology		Flat-pin plugs	
			Screw terminals			
			Form designation	Order number	Form designation	Order number
Spring-return joystick switches						
2 NO 		Standard	WKTB321	043 0358	WKTBF321	043 3830
		dto., UV/ozone-resistant	WKTB321/WKT-19.4	043 3731	WKTBF321/WKT-19.4	043 3831
		Silicone	WKTB321/WKT-19.3	043 3732	WKTBF321/WKT-19.3	043 3832
1 NC/ 1 NO 		Standard	WKTB321/1x401	043 3735	WKTBF321/1x401	043 3835
		dto., UV/ozone-resistant	WKTB321/1x401/WKT-19.4	043 3736	WKTBF321/1x401/WKT-19.4	043 3836
		Silicone	WKTB321/1x401/WKT-19.3	043 3737	WKTBF321/1x401/WKT-19.3	043 3837
Maintained joystick switches						
2 NO 		Standard	WKSB321	043 1052	WKSBF321	043 4080
		dto., UV/ozone-resistant	WKSB321/WKT-19.4	043 3981	WKSBF321/WKT-19.4	043 4081
		Silicone	WKSB321/WKT-19.3	043 3982	WKSBF321/WKT-19.3	043 4082
1 NC/ 1 NO 		Standard	WKSB321/1x401	043 3985	WKSBF321/1x401	043 4085
		dto., UV/ozone-resistant	WKSB321/1x401/WKT-19.4	043 3986	WKSBF321/1x401/WKT-19.4	043 4086
		Silicone	WKSB321/1x401/WKT-19.3	043 3987	WKSBF321/1x401/WKT-19.3	043 4087

○ Position of reset; ◀●/●▶ momentary action position; ● latching position; NO = normally open contact; NC = normally closed contact

Spring-return joystick switches, Maintained joystick switches*

- For installation diameter 30.5 mm
- Design with blocking ring to protect against unintentional actuation
- 2 (3, 4) directions of actuation/2 (1) switching signal(s) for each



Not illustrated: designs with flat-pin plug connections (see page 7, installed width 29 + 1 mm)

Cross references:

- Functional description: see pages 2 and 4 and following pages
- Sealing bellows: see page 3
- Specifications: see page 64
- Terminal markings: see page 7
- Assembly information: see page 9
- Spare parts: see page 62

Options (on request):

- Other actuator (instead of the ball)
- Metal housing (not fully-insulated)
- V2A bezel
- Secured with M30 nut/ser-rated lock washer, see page 62
- Other contact configurations

* Maintained/spring-return joystick switches: see pages 56/57

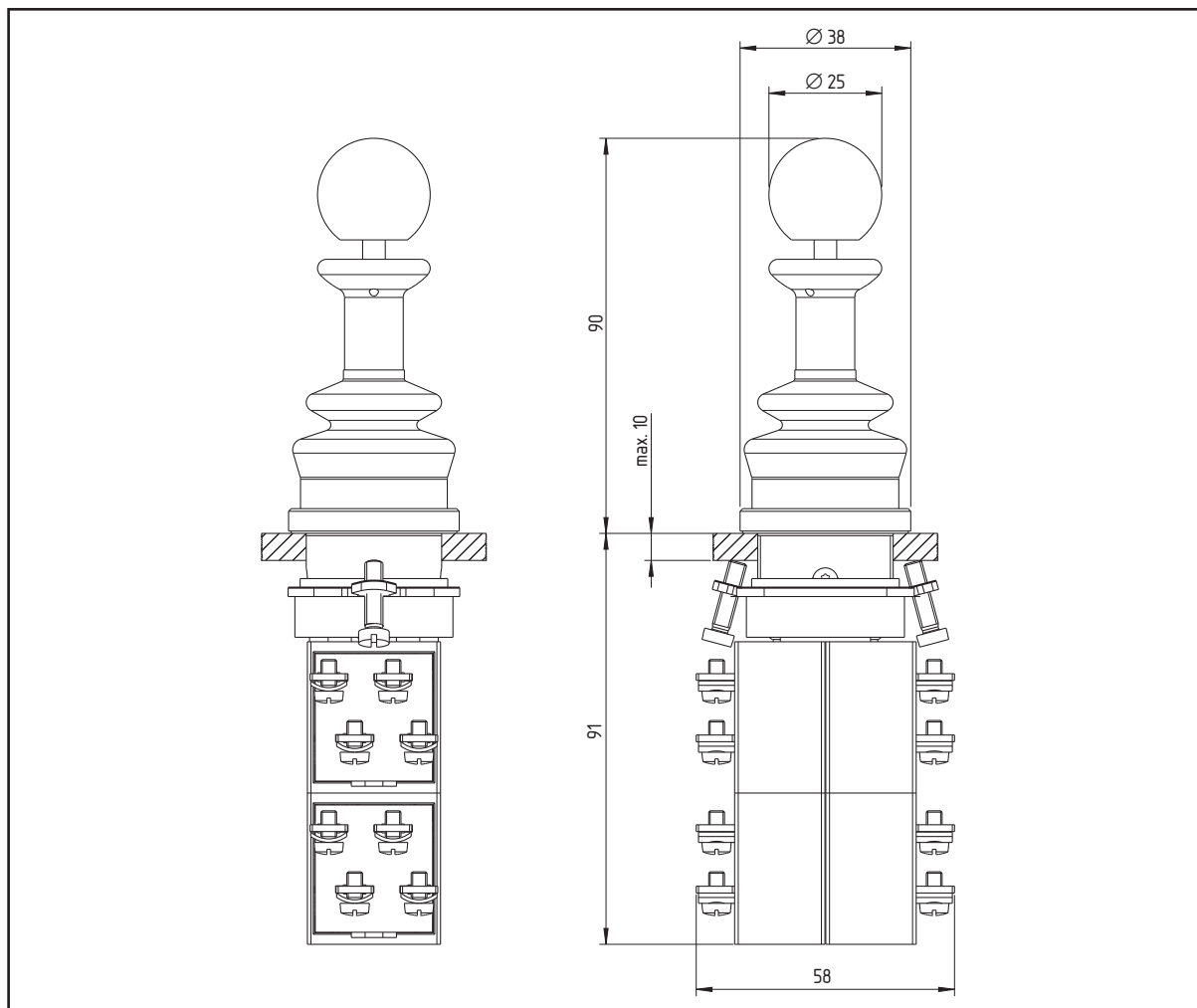
Spring-return joystick switches with analog switching signal: see pages 60/61

Switching position, quantity, contacts		Sealing bellows	Connection technology		Flat-pin plugs	
			Screw terminals			
			Form designation	Order number	Form designation	Order number
Spring-return joystick switches						
2 NO		Standard	WKTC321	043 0099	WKTCF321	043 3865
		dto., UV/ozone-resistant	WKTC321/WKT-19.4	043 3766	WKTCF321/WKT-19.4	043 3866
		Silicone	WKTC321/WKT-19.3	043 3767	WKTCF321/WKT-19.3	043 3867
1 NO		Standard	WKTC421	043 0404	WKTCF421	043 3870
		dto., UV/ozone-resistant	WKTC421/WKT-19.4	043 3771	WKTCF421/WKT-19.4	043 3871
		Silicone	WKTC421/WKT-19.3	043 3772	WKTCF421/WKT-19.3	043 3872
1 NO		Standard	WKTC521	043 0455	WKTCF521	043 3875
		dto., UV/ozone-resistant	WKTC521/WKT-19.4	043 1020	WKTCF521/WKT-19.4	043 3876
		Silicone	WKTC521/WKT-19.3	043 3777	WKTCF521/WKT-19.3	043 3877
1 NO		Standard	WKTC521/2x401	043 3780	WKTCF521/2x401	043 3880
		dto., UV/ozone-resistant	WKTC521/2x401/WKT-19.4	043 3781	WKTCF521/2x401/WKT-19.4	043 3881
		Silicone	WKTC521/2x401/WKT-19.3	043 3782	WKTCF521/2x401/WKT-19.3	043 3882
1 NC		Standard	WKTC521/2x401	043 3780	WKTCF521/2x401	043 3880
		dto., UV/ozone-resistant	WKTC521/2x401/WKT-19.4	043 3781	WKTCF521/2x401/WKT-19.4	043 3881
		Silicone	WKTC521/2x401/WKT-19.3	043 3782	WKTCF521/2x401/WKT-19.3	043 3882
1 NC		Standard	WKTC521/2x401	043 3780	WKTCF521/2x401	043 3880
		dto., UV/ozone-resistant	WKTC521/2x401/WKT-19.4	043 3781	WKTCF521/2x401/WKT-19.4	043 3881
		Silicone	WKTC521/2x401/WKT-19.3	043 3782	WKTCF521/2x401/WKT-19.3	043 3882
Maintained joystick switches						
2 NO		Standard	WKSC321	043 1095	WKSCF321	043 4210
		dto., UV/ozone-resistant	WKSC321/WKT-19.4	043 1091	WKSCF321/WKT-19.4	043 4211
		Silicone	WKSC321/WKT-19.3	043 4112	WKSCF321/WKT-19.3	043 4212
1 NO		Standard	WKSC421	043 1109	WKSCF421	043 4215
		dto., UV/ozone-resistant	WKSC421/WKT-19.4	043 1015	WKSCF421/WKT-19.4	043 4216
		Silicone	WKSC421/WKT-19.3	043 4117	WKSCF421/WKT-19.3	043 4217
1 NO		Standard	WKSC521	043 1150	WKSCF521	043 4220
		dto., UV/ozone-resistant	WKSC521/WKT-19.4	043 4121	WKSCF521/WKT-19.4	043 4221
		Silicone	WKSC521/WKT-19.3	043 4122	WKSCF521/WKT-19.3	043 4222
1 NC		Standard	WKSC521/2x401	043 4125	WKSCF521/2x401	043 4225
		dto., UV/ozone-resistant	WKSC521/2x401/WKT-19.4	043 4126	WKSCF521/2x401/WKT-19.4	043 4226
		Silicone	WKSC521/2x401/WKT-19.3	043 4127	WKSCF521/2x401/WKT-19.3	043 4227

○ Position of reset; ◀●/▶ momentary action position; ● latching position; NO = normally open contact; NC = normally closed contact

Spring-return joystick switches, Maintained joystick switches*

- For installation diameter 30.5 mm
- Design with blocking ring to protect against unintentional actuation
- 2 (4) directions of actuation/4 (2) switching signals for each



Not illustrated: designs with flat-pin plug connections (see page 7, installed width 29 + 1 mm)

Cross references:

- Functional description: see pages 2 and 4 and following pages
- Sealing bellows: see page 3
- Specifications: see page 64
- Terminal markings: see page 7
- Assembly information: see page 9
- Spare parts: see page 62

Options (on request):

- Other actuator (instead of the ball)
- Shorter actuating levers
- Metal housing (not fully-insulated)
- V2A bezel
- Secured with M30 nut/serrated lock washer, see page 62
- Devices with 3 directions of actuation
- Other contact configurations

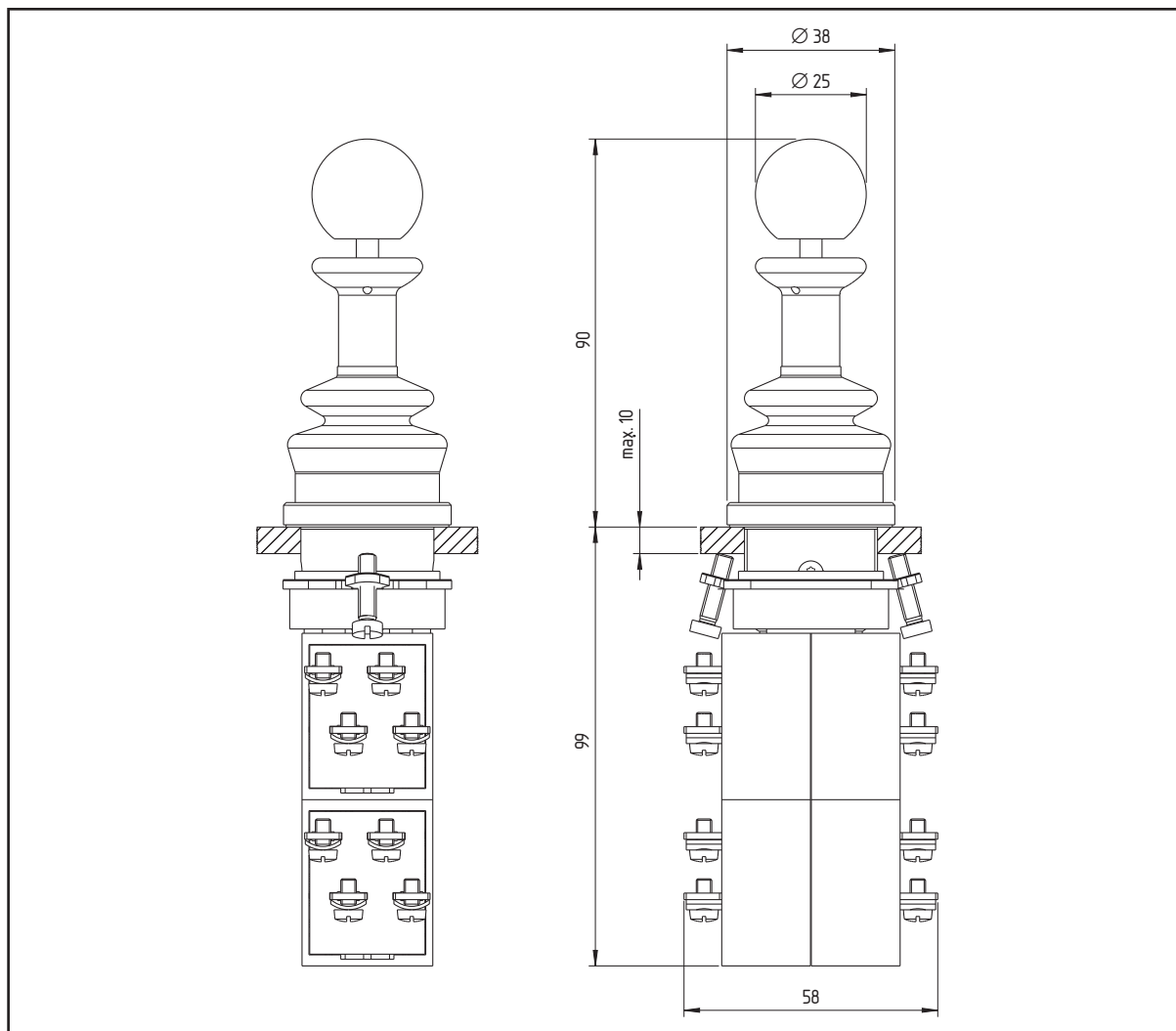
* Maintained/spring-return joystick switches: see pages 56/57
Spring-return joystick switches with analog switching signal: see pages 60/61

Switching position, quantity, contacts		Sealing bellows	Connection technology		Flat-pin plugs	
			Screw terminals			
			Form designation	Order number	Form designation	Order number
Spring-return joystick switches						
4 NO		Standard	WKTE321	043 3905	WKTEF32,1	043 4005
		dto., UV/ozone-resistant	WKTE321/WKT-19.4	043 3906	WKTEF321/WKT-19.4	043 4006
		Silicone	WKTE321/WKT-19.3	043 3907	WKTEF321/WKT-19.3	043 4007
2 NO		Standard	WKTE521	043 0552	WKTEF521	043 4010
		dto., UV/ozone-resistant	WKTE521/WKT-19.4	043 3911	WKTEF521/WKT-19.4	043 4011
		Silicone	WKTE521/WKT-19.3	043 3912	WKTEF521/WKT-19.3	043 4012
1 NC/ 1 NO		Standard	WKTE521/206	043 3915	WKTEF521/206	043 4015
		dto., UV/ozone-resistant	WKTE521/206/WKT-19.4	043 3916	WKTEF521/206/WKT-19.4	043 4016
		Silicone	WKTE521/206/WKT-19.3	043 3917	WKTEF521/206/WKT-19.3	043 4017
1 NC/1 NO		Standard	WKTE521/2x401	043 3920	WKTEF521/2x401	043 4020
		dto., UV/ozone-resistant	WKTE521/2x401/WKT-19.4	043 3921	WKTEF521/2x401/WKT-19.4	043 4021
		Silicone	WKTE521/2x401/WKT-19.3	043 3922	WKTEF521/2x401/WKT-19.3	043 4022
Maintained joystick switches						
4 NO		Standard	WKSE321	043 4150	WKSEF321	043 4250
		dto., UV/ozone-resistant	WKSE321/WKT-19.4	043 4151	WKSEF321/WKT-19.4	043 4251
		Silicone	WKSE321/WKT-19.3	043 4152	WKSEF321/WKT-19.3	043 4252
2 NO		Standard	WKSE521	043 1257	WKSEF521	043 4255
		dto., UV/ozone-resistant	WKSE521/WKT-19.4	043 4156	WKSEF521/WKT-19.4	043 4256
		Silicone	WKSE521/WKT-19.3	043 4157	WKSEF521/WKT-19.3	043 4257
1 NC/ 1 NO		Standard	WKSE521/206	043 4160	WKSEF521/206	043 4260
		dto., UV/ozone-resistant	WKSE521/206/WKT-19.4	043 4161	WKSEF521/206/WKT-19.4	043 4261
		Silicone	WKSE521/206/WKT-19.3	043 4162	WKSEF521/206/WKT-19.3	043 4262
1 NC/1 NO		Standard	WKSE521/2x401	043 4165	WKSEF521/2x401	043 4265
		dto., UV/ozone-resistant	WKSE521/2x401/WKT-19.4	043 4166	WKSEF521/2x401/WKT-19.4	043 4266
		Silicone	WKSE521/2x401/WKT-19.3	043 4167	WKSEF521/2x401/WKT-19.3	043 4267

○ Position of reset; ◀▶ momentary action position; ● latching position; NO = normally open contact; NC = normally closed contact

Spring-return joystick switches, Maintained joystick switches*

- For installation diameter 30.5 mm
- Design with blocking ring to protect against unintentional actuation
- 2 (4) directions of actuation/4 (2) switching signals for each



Cross references:

- Functional description: see pages 2 and 4 and following pages
- Sealing bellows: see page 3
- Specifications: see page 64
- Terminal markings: see page 7
- Assembly information: see page 9
- Spare parts: see page 62

Additional information:

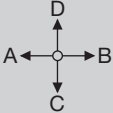
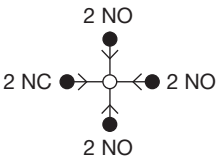
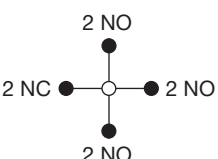
- Flat plug connections not possible

Options (on request):

- Other actuator (instead of the ball)
- Metal housing (not fully-insulated)
- V2A bezel
- Secured with M30 nut/ser-rated lock washer, see page 62
- Devices with 3 directions of actuation
- Other contact configurations

* Maintained/spring-return joystick switches: see pages 56/57

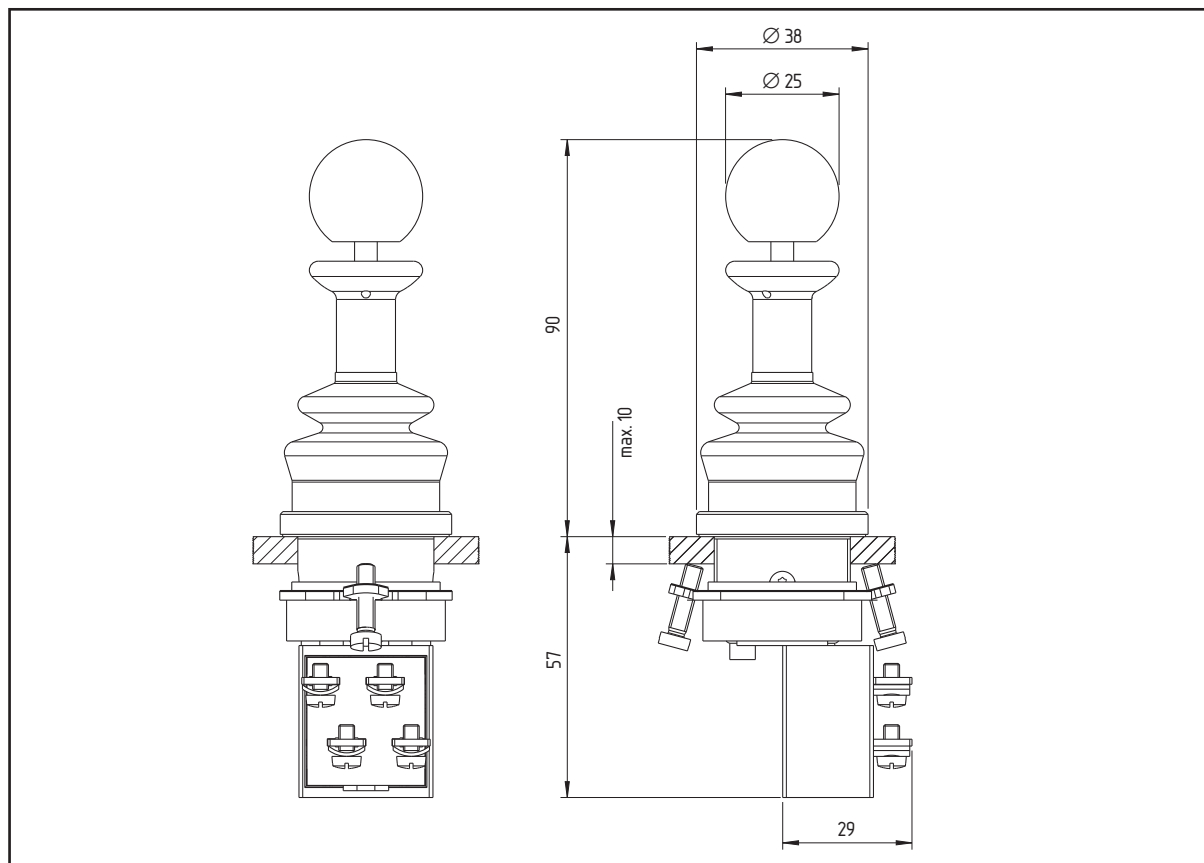
Spring-return joystick switches with analog switching signal: see pages 60/61

Switching position, quantity, contacts		Sealing bellows	Connection technology	
			Screw terminals	
			Form designation	Order number
Spring-return joystick switches				
4 NC ●→○←● 4 NO		Standard	WKTE321/404	043 3940
		dto., UV/ozone-resistant	WKTE321/404/WKT-19.4	043 3941
		Silicone	WKTE321/404/WKT-19.3	043 3942
4 NC ●→○←● 4 NC		Standard	WKTE321/800	043 3945
		dto., UV/ozone-resistant	WKTE321/800/WKT-19.4	043 3946
		Silicone	WKTE321/800/WKT-19.3	043 3947
		Standard	WKTE521/206.1	043 3950
		dto., UV/ozone-resistant	WKTE521/206.1/WKT-19.4	043 3951
		Silicone	WKTE521/206.1/WKT-19.3	043 3952
Maintained joystick switches				
4 NC ●—○—● 4 NO		Standard	WKSE321/404	043 4185
		dto., UV/ozone-resistant	WKSE321/404/WKT-19.4	043 4186
		Silicone	WKSE321/404/WKT-19.3	043 4187
4 NC ●—○—● 4 NC		Standard	WKSE321/800	043 4190
		dto., UV/ozone-resistant	WKSE321/800/WKT-19.4	043 4191
		Silicone	WKSE321/800/WKT-19.3	043 4192
		Standard	WKSE521/206.1	043 4195
		dto., UV/ozone-resistant	WKSE521/206.1/WKT-19.4	043 4196
		Silicone	WKSE521/206.1/WKT-19.3	043 4197

○ Position of reset; ◀/▶ momentary action position; ● latching position; NO = normally open contact; NC = normally closed contact

Maintained/spring-return joystick switches

- For installation diameter 30.5 mm
- Design with blocking ring to protect against unintentional actuation
- 2 directions of actuation/1 switching signal for each



Not illustrated: designs with flat-pin plug connections (see page 7, installed width 29 + 1 mm)

Cross references:

- Functional description: see pages 2 and 4 and following pages
- Sealing bellows: see page 3
- Specifications: see page 64
- Terminal markings: see page 7
- Assembly information: see page 9
- Spare parts: see page 62

Options (on request):

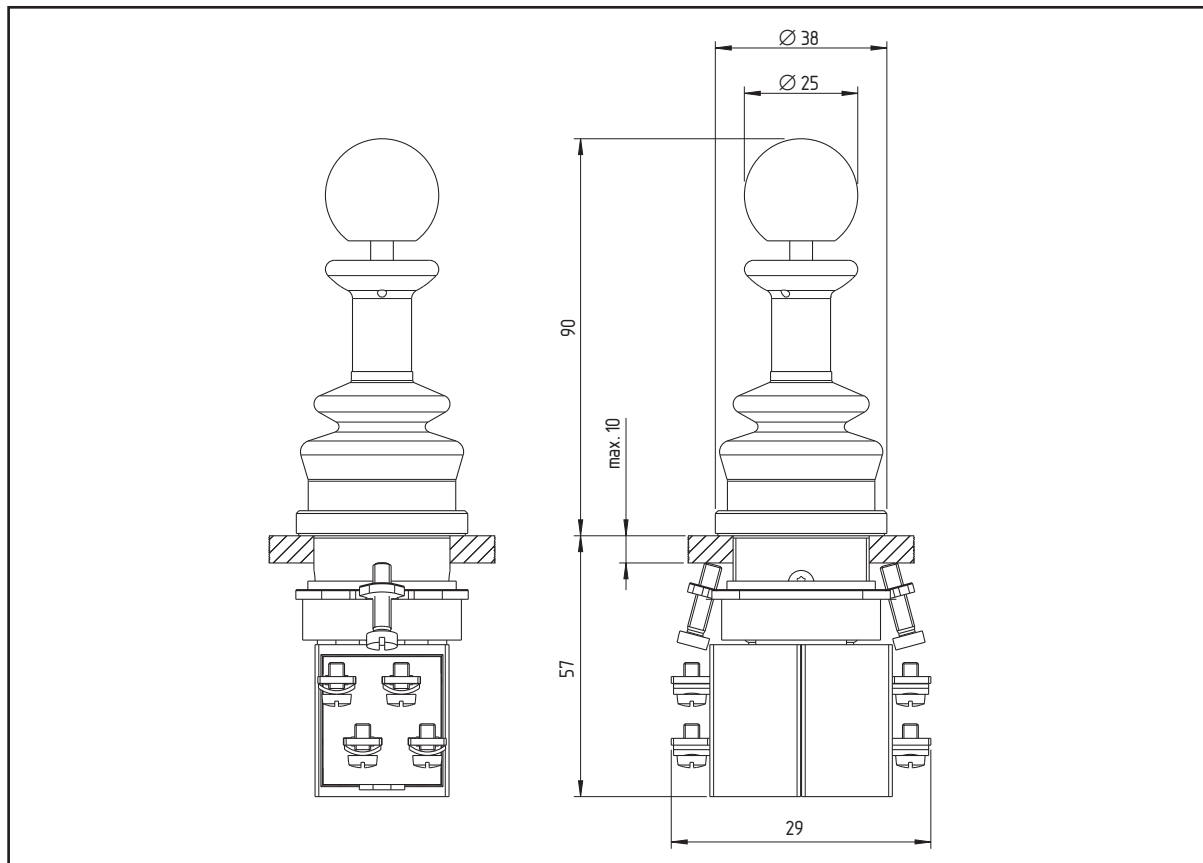
- Other actuator (instead of the ball)
- Metal housing (not fully-insulated)
- V2A bezel
- Secured with M30 nut/ser-rated lock washer, see page 62
- Other contact configurations

Switching position, quantity, contacts		Sealing bellows	Connection technology		Flat-pin plugs	
			Form designation	Order number	Form designation	Order number
Spring-return joystick switches						
1 NO ●→○● 1 NO		Standard	WK TSA321	043 1354	WK TSAF321	043 4410
		dto., UV/ozone-resistant	WK TSA321/WKT-19.4	043 4311	WK TSAF321/WKT-19.4	043 4411
		Silicone	WK TSA321/WKT-19.3	043 4312	WK TSAF321/WKT-19.3	043 4412

○ Position of reset; ◀●/▶ momentary action position; ● latching position; NO = normally open contact; NC = normally closed contact

Maintained/spring-return joystick switches

- For installation diameter 30.5 mm
- Design with blocking ring to protect against unintentional actuation
- 4 directions of actuation/1 switching signal for each



Not illustrated: designs with flat-pin plug connections (see page 7, installed width 29 + 1 mm)

Cross references:

- Functional description: see pages 2 and 4 and following pages
- Sealing bellows: see page 3
- Specifications: see page 64
- Terminal markings: see page 7
- Assembly information: see page 9
- Spare parts: see page 62

Options (on request):

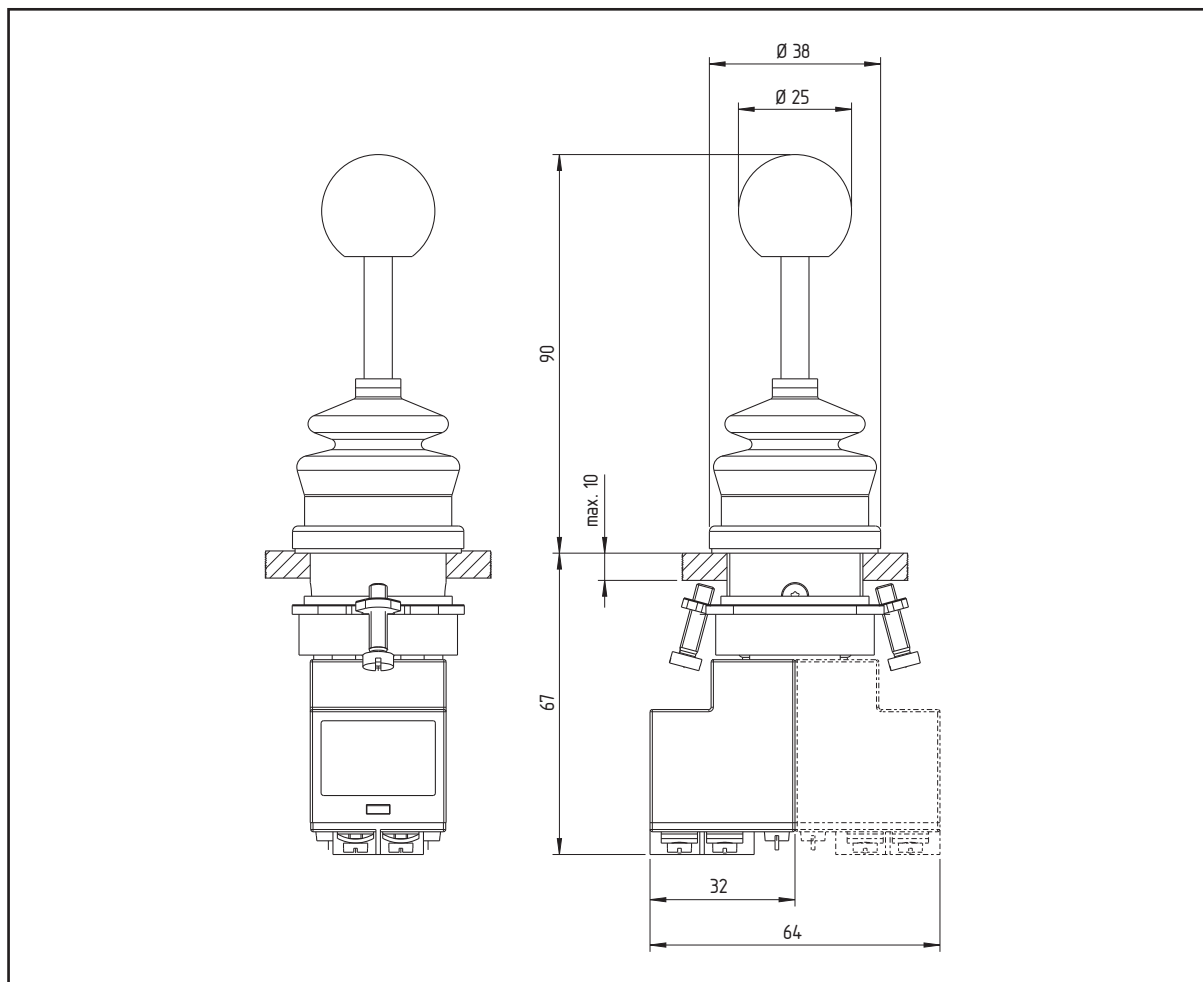
- Other actuator (instead of the ball)
- Metal housing (not fully-insulated)
- V2A bezel
- Secured with M30 nut/ser-rated lock washer, see page 62
- Devices with 3 directions of actuation
- Other contact configurations

Switching position, quantity, contacts		Sealing bellows	Connection technology		Flat-pin plugs	
			Screw terminals			
			Form designation	Order number	Form designation	Order number
Spring-return joystick switches						
		Standard	WKTSC521.2	0432202	WKTSF521.2	0434415
		dto., UV/ozone-resistant	WKTSC521.2/WKT-19.4	0434316	WKTSF521.2/WKT-19.4	0434416
		Silicone	WKTSC521.2/WKT-19.3	0434317	WKTSF521.2/WKT-19.3	0434417

○ Position of reset; ◀●▶ momentary action position; ● latching position; NO = normally open contact; NC = normally closed contact

Spring-return joystick switches with analog output

- For installation diameter 30.5 mm
- Design without blocking ring to protect against unintentional actuation
- Devices with analog output



Cross references:

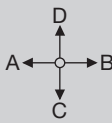

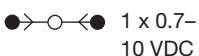
- Functional description: see pages 2 and 4 and following pages
- Sealing bellows: see page 3
- Specifications: see page 64
- Terminal markings: see page 7
- Assembly information: see page 9
- Spare parts: see page 62

Additional information:

- Flat plug connections not possible

Options (on request):

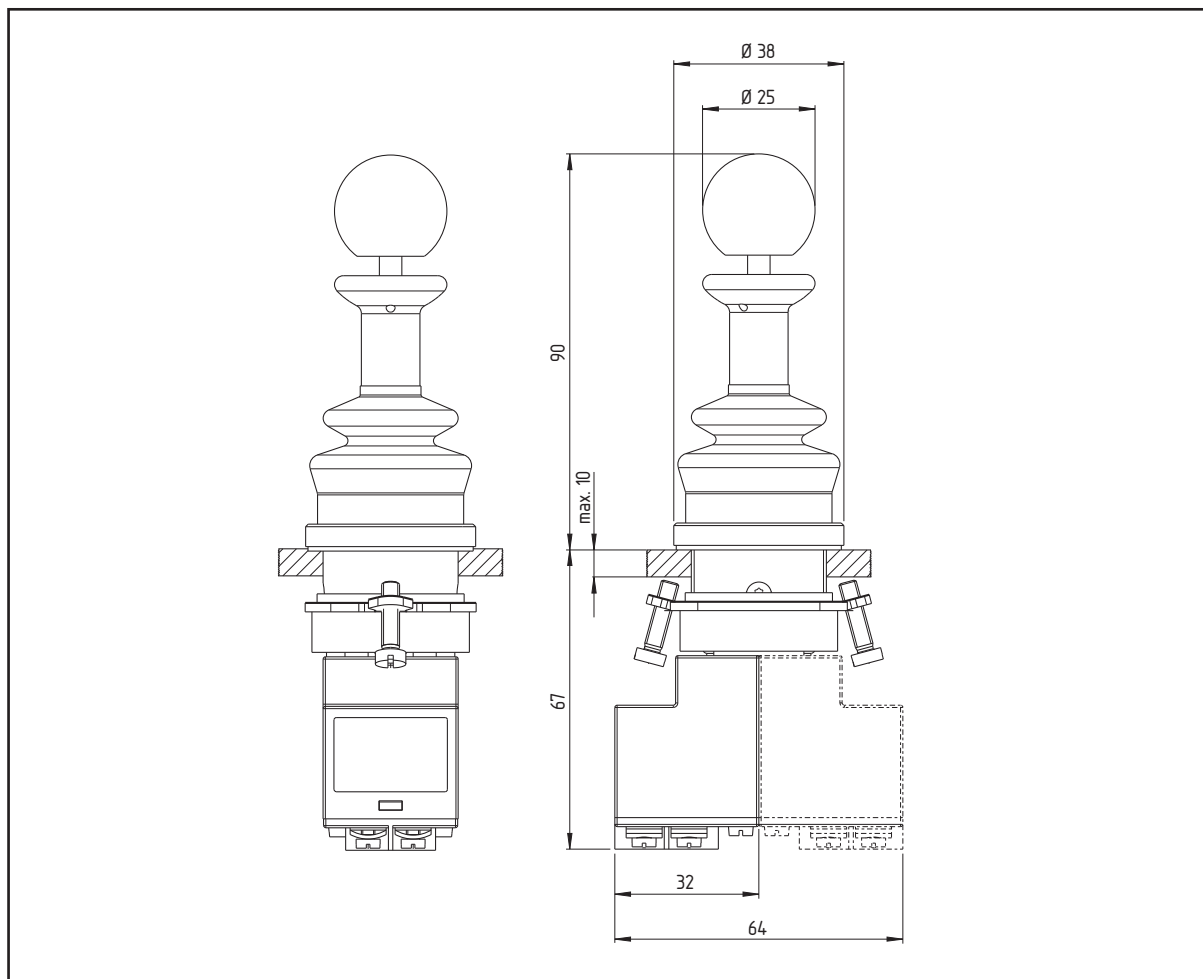
- Other actuator (instead of the ball)
- Metal housing (not fully-insulated)
- V2A bezel
- Secured with M30 nut/ser-rated lock washer, see page 62
- Other sealing bellows
- 1 x switching signal (instead of 1 x analog signal)

Switching position, quantity, contacts		Sealing bellows	Connection technology Screw terminals	
			Form designation	Order number
Spring-return joystick switches				
1 x 0.7-10 VDC		UV/ozone-resistant (WKT-19.4)	WKTA22/EO24AK	043 4510
1 x 0.7-10 VDC		UV/ozone-resistant (WKT-19.4)	WKTC32/EO24AK	043 4515

○ Position of reset; <●/●> momentary action position; ● latching position

Spring-return joystick switches with analog output

- For installation diameter 30.5 mm
- Design with blocking ring to protect against unintentional actuation
- Devices with analog output



Cross references:

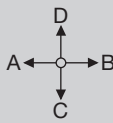

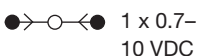
- Functional description: see pages 2 and 4 and following pages
- Sealing bellows: see page 3
- Specifications: see page 64
- Terminal markings: see page 7
- Assembly information: see page 9
- Spare parts: see page 62

Additional information:

- Flat plug connections not possible

Options (on request):

- Other actuator (instead of the ball)
- Metal housing (not fully-insulated)
- V2A bezel
- Secured with M30 nut/ser-rated lock washer, see page 62
- Other sealing bellows
- 1 x switching signal (instead of 1 x analog signal)

Switching position, quantity, contacts		Sealing bellows	Connection technology Screw terminals	
			Form designation	Order number
Spring-return joystick switches				
1 x 0.7-10 VDC		UV/ozone-resistant (WKT-19.4)	WKTA221/EO24AK	043 4520
1 x 0.7-10 VDC		UV/ozone-resistant (WKT-19.4)	WKTC321/EO24AK	043 4525

○ Position of reset; <●/●> momentary action position; ● latching position