

D-LAS Series

► D-LAS3

- Optics cover made of glass
- Various apertures available
- Switching output (npn or pnp)
- High reproducibility (in the μm -range)
- Sturdy housing made of brass, nickel-plated
- Compact M8-housing
- Insensitive to outside light



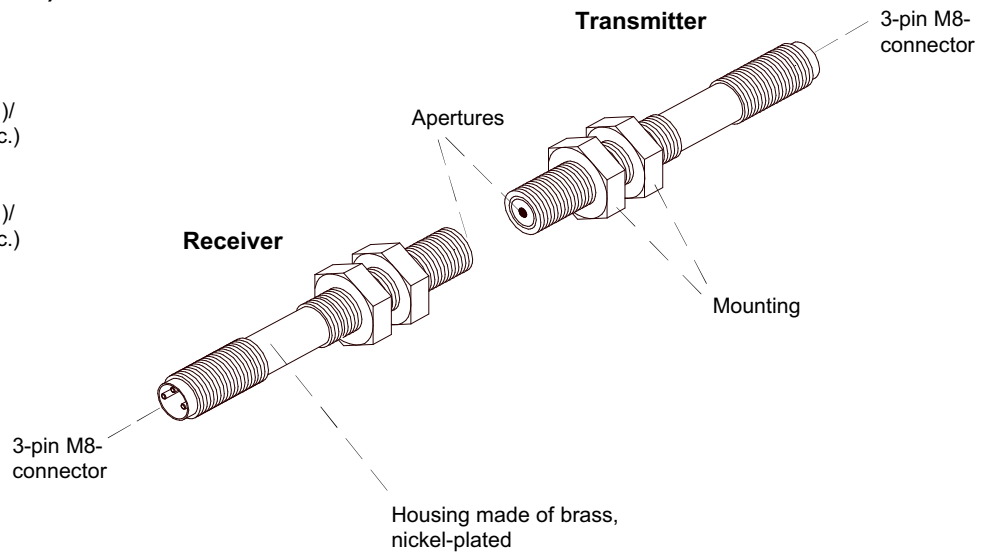
Design

Product name:

Transmitter: D-LAS3-(aperture)*-T

**Receiver: D-LAS3-Q-(aperture)*-R
D-LAS3-Qinv-(aperture)*-R**

- Q = Switching output:
nnp dark-switching (nnp n.o.)/
pnp bright-switching (pnp n.c.)
- Qinv = Switching output:
pnp dark-switching (pnp n.o.)/
nnp bright-switching (nnp n.c.)



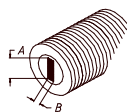
***Available apertures:**

**Round apertures
(\varnothing in mm):**

- d0.3
- d0.5
- d0.7
- d1.0
- d2.0


**Rectangular apertures
(AxB in mm):**

- 0.3 x 1
- 0.3 x 1.5
- 0.5 x 1
- 0.75 x 2
- 1 x 2





Technical Data

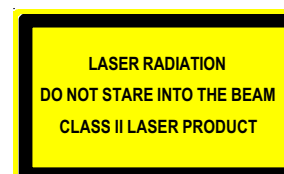
Model	D-LAS3
Laser	Solid state laser, 670 nm, AC-operation, 1 mW max. opt. power, laser class 2 acc. to DIN EN 60825. The use of these laser transmitters therefore requires no additional protective measures.
Max. range	30 m (depends on the aperture used)
Min. detectable object	typ. 1% of aperture size
Reproducibility	typ. 1% of aperture size
Optical filter	Interference filter
Voltage supply	+12VDC ... +32VDC, protected against polarity reversal, overload protected
Pulsating light or continuous light operation	AC-operation, 100 kHz
Ambient light	up to 5000 Lux (depends on the aperture used)
Current consumption	Transmitter: typ. 60 mA Receiver: typ. 30 mA
Max. size of aperture	Round aperture: max. Ø 2.0 mm, rectangular aperture: max. 2 mm x 1 mm
Monitoring output	Analog output 0V...+10V (typ. 100 kHz band width)
Type of protection	IP67
Operating temperature range	-20°C up to +50°C
Storage temperature range	-20°C up to +85°C
Housing material	Brass, nickel-plated
Housing dimensions	Transmitter respectively receiver: M8x1, length approx. 66 mm
Connector type	M8, 3-pin (V2A-plug)
Max. switching current	100 mA, short-circuit-proof
EMC test acc. to	IEC - 801... 
Switching frequency	typ. 1 kHz



Laser Warning

The transmitters of the laser one-way light barriers of D-LAS Series comply with laser class 2 according to EN 60825. The use of these laser transmitters therefore requires no additional protective measures.

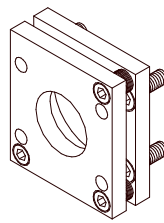
The transmitters of the D-LAS Series are supplied with a laser warning label.



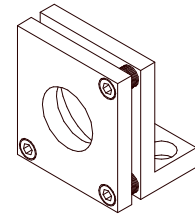
Mounting

Mounting accessories:
(please order separately)

Mounting flange FL-8
Mounting flange WFL-8



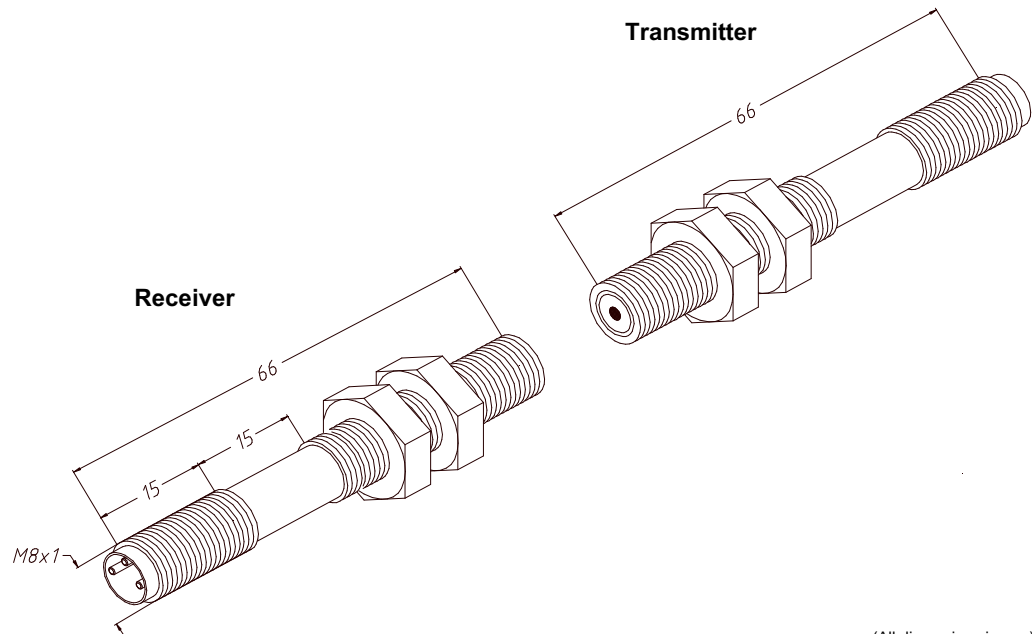
FL-8



WFL-8

Dimensions

D-LAS3 transmitter
D-LAS3 receiver



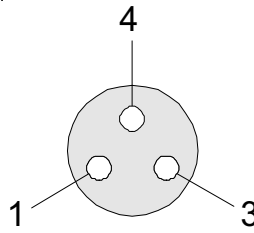
(All dimensions in mm)

Connector Assignment

Receiver
(3-pin M8-connector)

Type Q (npn dark-switching / pnp bright-switching):

Pin No.:	Color:	Assignment:
1	brn	+12VDC...+32VDC
3	blu	GND (0V)
4	blk	OUTPUT



Transmitter
(3-pin M8-connector)

Pin No.:	Color:	Assignment:
1	brn	+12VDC...+32VDC
3	blu	GND (0V)
4	blk	SHIELD

Type Qinv (pnp dark-switching / npn bright-switching):

Pin No.:	Color:	Assignment:
1	brn	+12VDC...+32VDC
3	blu	GND (0V)
4	blk	OUTPUT INV

Connecting Cables

Available cable types:

cab-M8/3-g-2	Length: 2m	Outer jacket: PUR
cab-M8/3-g-5	Length: 5m	Outer jacket: PUR
cab-M8/3-w-2	Length: 2m	Outer jacket: PUR angle type
cab-M8/3-w-5	Length: 5m	Outer jacket: PUR angle type
cab-M8/3-w-npn-2	Length: 2m	Outer jacket: PUR angle type, LED
cab-M8/3-w-npn-5	Length: 5m	Outer jacket: PUR angle type, LED
cab-M8/3-w-pnp-2	Length: 2m	Outer jacket: PUR angle type, LED
cab-M8/3-w-pnp-5	Length: 5m	Outer jacket: PUR angle type, LED

